

We build a better future



* Photo may include optional equipment

HYUNDAI SKID STEER LOADER Equipped with Tier 3 Engine

HSL650-7A

HSL850-7A

NEW Hyundai Skid Steer Loaders **HSL650-7A & HSL850-7A**



Comfort & Safety

ROPS- / FOPS-certified operators space designed for maximum comfort, improved safety and excellent visibility. It is a pleasure to operate this machine with its low noise level and limited vibrations.



Precise controls

Buzzer Stop
Directional
indicators (option)

Travel control
(fwd/rev, left/right)



Horn
Auxiliary function

Attachment
control (boom,
bucket)

Pilot operated joysticks

An operator can easily drive the machine while operating the attachment without the use of foot pedals.

Master on your jobsite!

Our 7A skid steer loaders are designed with plenty of power for maximum productivity, combined with excellent fuel efficiency. Hyundai skid steer loaders do more for less.



HSL 650-7A Engine

The high quality Kubota V2403 engine is designed for a perfect balance between performance, durability and efficiency. The V2403 provides enough power for jobs of all types with either a bucket or special attachments. (EPA tier 3 & EU Stage IIIa certified)

48.3 HP / 2,500 rpm
16.2 kgf.m / 1,600 rpm

HSL 850-7A Engine

The high quality Kubota V3307-T engine is designed for a perfect balance between performance, durability and efficiency. The V3307-T provides enough power for jobs of all types with either a bucket or special attachments. (EPA tier 3 & EU Stage IIIa certified)

75.3 HP / 2,400 rpm
27 kgf.m / 1,500 rpm



Safe boom lock

A mechanical boom lock is installed for maximum safety during maintenance.



Excellent Visibility



Quick coupler for attachments

A mechanical quick coupler is installed to reduce cycle times and to ease the work of the operator. Complies with ISO24410.

High Power
Low Noise



* Photo may include optional equipment

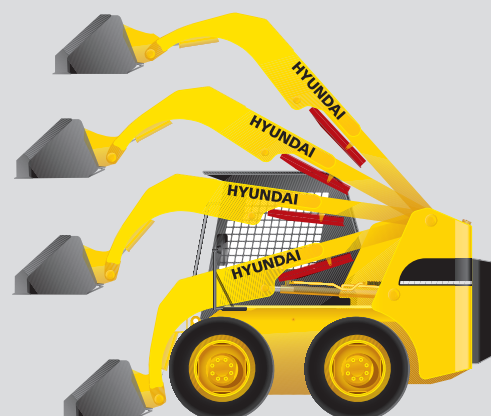


Dual safety lock of cabin/canopy

Dual locking system for cabin/canopy when in raised position insures operator safety when performing service and maintenance.

Parallel bucket lift

The parallel bucket lift is an optional feature perfect for lifting applications. When raising the boom, the bucket positioning valve directs oil from the boom cylinder to the bucket cylinder to keep the bucket in a level position automatically. This improves loading efficiency and allows the operator to focus more on machine positioning and job details which improves overall productivity. Operator can concentrate on manoeuvring and lifting tasks for fast cycle times.



Centralized design for easy maintenance!

Smart location and open access of main components to reduce machine downtime during service and maintenance.



Separate mounted coolers

Heavy duty coolers are offering high cooling capacity and good efficiency to keep your machine at the perfect temperature to do the job. The coolers are mounted separately to clean them out easily.



Hydraulic Oil Filter Clogging Indicator

When hydraulic oil filter reaches full capacity, indicator light will alert the operator.



Wide Open Engine Access

Cabin/canopy with seat can be tilted to provide easy access to the engine compartment.



Remote Located Engine Oil Filter (only for HSL850-7A)

The engine oil filter is remotely located for convenient access during service and maintenance.





* Photo may include optional equipment



Fuse Box

A centralized fuse box provides additional protection and durability to the onboard electrical system.



Frame Mounted Muffler (only for HSL850-7A)

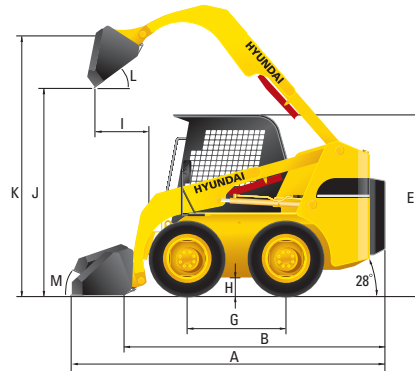
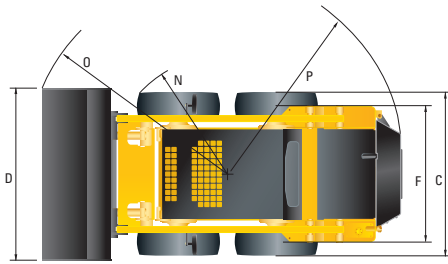
The muffler is mounted on the machine frame to reduce vibration and noise and to improve durability.



Hydraulic Oil Gauge

Hydraulic oil site gauge makes checking oil level easy and fast.

Dimensions



Specifications

DESCRIPTION		UNIT	HSL650-7A	HSL850-7A
Nominal capacity		kg (lb)	650 (1,433)	860 (1,892)
Tipping load		kg (lb)	1,310 (2,888)	1,718 (3,780)
Operating weight		kg (lb)	2,690 (5,787)	3,355 (7,381)
ENGINE	Model	-	Kubota V2403	Kubota V3307-T
	Gross output	kW (HP)	35.5 (48.3)	55.4 (75.3)
	Net output	kW (HP)	34.3 (46.6)	53.5 (72.7)
	Rated engine speed	rpm	2,500	2,400
GENERAL	Travel controls	-	Pilot operated joystick	Pilot operated joystick
	Attachment controls	-	Pilot operated joystick	Pilot operated joystick
	Tires	-	10-16.5,6PR	12-16.5,12PR
Max. travel speed		km/h (mph)	11.5 (7.1)	11.4 (7.1)
HYDRAULICS	Hydraulic pump flow	ℓ/min (gpm)	66.3 (17.5)	63.9 (16.9)
	Max. hydraulic pressure	kg/cm ² (psi)	175 (2,489)	175 (2,489)
DIMENSIONS	Overall length (with bucket)	A	3,270 (128.7)	3,470 (136.6)
	Overall width (without bucket)	C	1,515 (59.6)	1,830 (72.0)
	Overall height (attachment lowered)	E	1,965 (77.4)	2,000 (78.7)
	Tread	F	1,255 (49.4)	1,500 (59.1)
	Wheelbase	G	990 (39.0)	1,100 (43.3)
	Overall length (without bucket)	B	2,625 (103.3)	2,840 (111.8)
	Ground clearance	H	183 (7.2)	205 (8.1)
	Turn radius, bucket	O	1,935 (76.2)	2,080 (81.9)
	Turn radius, front tire	N	1,260 (49.6)	1,300 (51.2)
	Turn radius, rear end	P	1,560 (61.4)	1,660 (65.4)
	Rear departure angle	-	28°	28°
	Height to bucket pin	K	2,915 (114.8)	3,080 (121.3)
	Max. dump height	J	2,240 (88.2)	2,410 (94.9)
	Max. bucket dump angle	L	45°	45°
	Reach at max. dump	I	550 (21.7)	510 (20.1)
	Max. bucket rollback angle	M	27°	27°
	Bucket width	D	1,625 (64.0)	1,894 (74.6)
	Bucket capacity (heaped)	m ³ (ft ³)	0.31 (10.9)	0.37 (13.1)
	Fuel tank capacity	ℓ (gal)	60 (16)	83 (22)
Hydraulic tank capacity	ℓ (gal)	38 (10)	57 (15)	

Standard Equipment

- Hand throttle lever
- Direct cooling system
- Dual airfilter
- Aux. piping (3-spool)
- Pilot operated joysticks (travel + attachment)
- Bow tie drive chain
- Dashboard integrated in roof
- ROPS / FOPS certified canopy
- Inside rearview mirror
- Vandalism protection
- Spark arresting muffler (only for HSL850-7A)
- Seat bar

Optional Equipment

- Cyclone type air prefilter
- Parallel bucket lift
- Master switch
- Backup alarm
- ROPS / FOPS certified cabin
- Heater
- Air-con & heater
- Defroster
- Fenders
- Side mirrors
- Directional indicators
- Beacon
- Rear working light
- High flow attachment control

* Standard and optional equipment may vary.
Contact your Hyundai dealer for more information.
The machine may vary according to International standards.

* The photos may include attachments and optional equipment that are not available in your area.

* Materials and specifications are subject to change without advance notice.

* All imperial measurements rounded off to the nearest pound or inch.

 **HYUNDAI**
HEAVY INDUSTRIES EUROPE
CONSTRUCTION EQUIPMENT

Hyundai Heavy Industries Europe N.V.
VOSSENDAAL 11, 2440 GEEL, BELGIUM TEL: (32) 14-56-2200 FAX: (32) 14-59-3405

PLEASE CONTACT