

Specifications R125LCR-9A

ENGINE

MODEL	PERKINS 1204E	
Type	Water cooled, 4 cycle Diesel, 4-cylinders in line, direct injection, turbocharged, charged air cooled and low emission	
Rated flywheel horse power		
SAE	J1995 (gross)	100 HP (74.6 kW) / 1,950 rpm
	J1349 (net)	92 HP (68.4 kW) / 1,950 rpm
DIN	6271/1 (gross)	101 PS (74.6 kW) / 1,950 rpm
	6271/1 (net)	93 PS (68.4 kW) / 1,950 rpm
Max. torque	45.9 kgf.m (322 lbf.ft)/ 1,400 rpm	
Bore x stroke	105 x 127 mm (4.1" x 5.0")	
Piston displacement	4,400 cc (268.5 in ³)	
Batteries	2 x 12 V x 100 Ah	
Starting motor	24 V - 4.5 kW	
Alternator	24 V - 85 A	

* This engine meets the EPA (Tier 4 interim) / EU (Stage III-B) Emission regulation.

HYDRAULIC SYSTEM

MAIN PUMP	
Type	Variable displacement tandem-axial piston pumps
Max. flow	2 x 135 l/min (32.6 US gpm / 27.2 UK gpm)
Sub-pump for pilot circuit	Gear pump

Cross-sensing and fuel saving pump system

HYDRAULIC MOTORS	
Travel	Two-speed axial piston motor with brake valve and parking brake
Swing	Axial piston motor with automatic brake

RELIEF VALVE SETTING	
Implement circuits	350 kgf/cm ² (4,980 psi)
Travel	350 kgf/cm ² (4,980 psi)
Power boost (boom, arm, bucket)	380 kgf/cm ² (5,410 psi)
Swing circuit	285 kgf/cm ² (4,050 psi)
Pilot circuit	40 kgf/cm ² (570 psi)
Service valve	Installed

HYDRAULIC CYLINDERS	
No. of cylinder-bore x stroke	Boom: 2-105 x 1,105 mm (4.1" x 43.5")
	Arm: 1-115 x 1,138 mm (4.5" x 44.8")
	Bucket: 1-100 x 840 mm (3.9" x 33.1")
	Blade: 2-100 x 250 mm (3.9" x 9.8")
	2PC-boom 1st: 2-105 x 995 mm (4.1" x 39.2")
	2nd: 1-145 x 613 mm (5.7" x 24.1")

DRIVES & BRAKES

Drive method	Fully hydrostatic type
Drive motor	Axial piston motor, in-shoe design
Reduction system	Planetary reduction gear
Max. drawbar pull	10,300 kgf (22,710 lbf)
Max. travel speed (high) / (low)	6.1 km/hr (3.8 mph) / 3.6 km/hr (2.2 mph)
Gradeability	35° (70 %)
Parking brake	Multi wet disc

CONTROL

Pilot pressure operated joysticks and pedals with detachable lever provide almost effortless and fatigueless operation.

Pilot control	Two joysticks with one safety lever (LH): Swing and arm (RH): Boom and bucket (ISO)
Traveling and steering	Two levers with pedals
Engine throttle	Electric, Dial type

SWING SYSTEM

Swing motor	Fixed displacement axial piston motor
Swing reduction	Planetary gear reduction
Swing bearing lubrication	Grease-bathed
Swing brake	Multi wet disc
Swing speed	12.6 rpm

COOLANT & LUBRICANT CAPACITY

	liter	US gal	UK gal
Fuel tank	210	61.3	51.0
Engine coolant	14.5	2.8	2.3
Engine oil	10.5	2.8	2.3
Swing device-gear oil	3.4	0.9	0.7
Final drive (each)-gear oil	2.5	0.7	0.5
Hydraulic system (including tank)	188	49.7	41.4
Hydraulic tank	79	20.9	17.4

UNDERCARRIAGE

The X-leg type center frame is integrally welded with reinforced box-section track frames. The undercarriage includes lubricated rollers, idlers, track adjusters with shock absorbing springs and sprockets, and a track chain with double or triple grouser shoes.

Center frame	X - leg type
Track frame	Pentagonal box type
No. of shoes on each side	43 EA
No. of carrier rollers on each side	1 EA
No. of track rollers on each side	6 EA
No. of rail guards on each side	1 EA

OPERATING WEIGHT (APPROXIMATE)

Operating weight, including 4,300 mm (14' 1") boom, 2,260 mm (7' 5") arm, SAE heaped 0.40 m³ (0.52 yd³) bucket, lubricant, coolant, full fuel tank, full hydraulic tank and all standard equipments.

MAJOR COMPONENT WEIGHT	
Upperstructure	6,950 kg (15,320 lb)
4.3 m (14' 1") mono boom (with arm cylinder)	950 kg (2,090 lb)

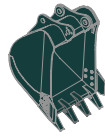
OPERATING WEIGHT			
Shoes		Operating weight	Ground pressure
Type	Width mm (in)	kg (lb)	kgf/cm ² (psi)
Triple grouser	500 (20")	R125LCR-9A	12,500 (27,560) 0.42 (5.91)
		R125LCR-9A (Dozer type)	13,200 (29,100) 0.44 (6.24)
	600 (24")	R125LCR-9A	12,650 (27,890) 0.35 (4.98)
		R125LCR-9A (Dozer type)	13,350 (29,430) 0.37 (5.26)
	700 (28")	R125LCR-9A	12,800 (28,220) 0.30 (4.27)
		R125LCR-9A (Dozer type)	13,500 (29,760) 0.32 (4.55)

BUCKETS R125LCR-9A

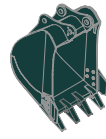
All buckets are welded with high-strength steel.



0.30 (0.39)



0.40 (0.52)



0.45 (0.59)



0.50 (0.65)



0.59 (0.77)

SAE heaped m³ (yd³)

Capacity m ³ (yd ³)		Width mm (in)		Weight kg (lb)	Recommendation mm (ft.in)		
SAE heaped	CECE heaped	Without side cutters	With side cutters		4,300 (14' 1") Boom		
					1,960 (6' 5") Arm	2,260 (7' 5") Arm	2,810 (9' 3") Arm
0.30 (0.39)	0.27 (0.35)	610 (24.0)	720 (28.3)	360 (790)	●	●	●
0.40 (0.52)	0.44 (0.58)	760 (29.9)	870 (34.3)	410 (900)	●	●	●
0.45 (0.59)	0.40 (0.52)	830 (32.7)	940 (37.0)	430 (950)	●	●	■
0.50 (0.65)	0.45 (0.59)	900 (35.4)	1,010 (39.8)	450 (990)	●	■	▲
0.59 (0.77)	0.52 (0.68)	1,020 (40.2)	1,130 (44.5)	490 (1,080)	■	▲	—

- : Applicable for materials with density of 2,000 kg/m³ (3,370 lb/yd³) or less
- : Applicable for materials with density of 1,600 kg/m³ (2,700 lb/yd³) or less
- ▲ : Applicable for materials with density of 1,100 kg/m³ (1,850 lb/yd³) or less

ATTACHMENT R125LCR-9A

Booms and arms are welded, a low-stress, full-box section design.

4.3 m (14' 1") boom and 1.96 m (6' 5"); 2.26 m (7' 5") & 2.81 m (9' 3") arms are available.

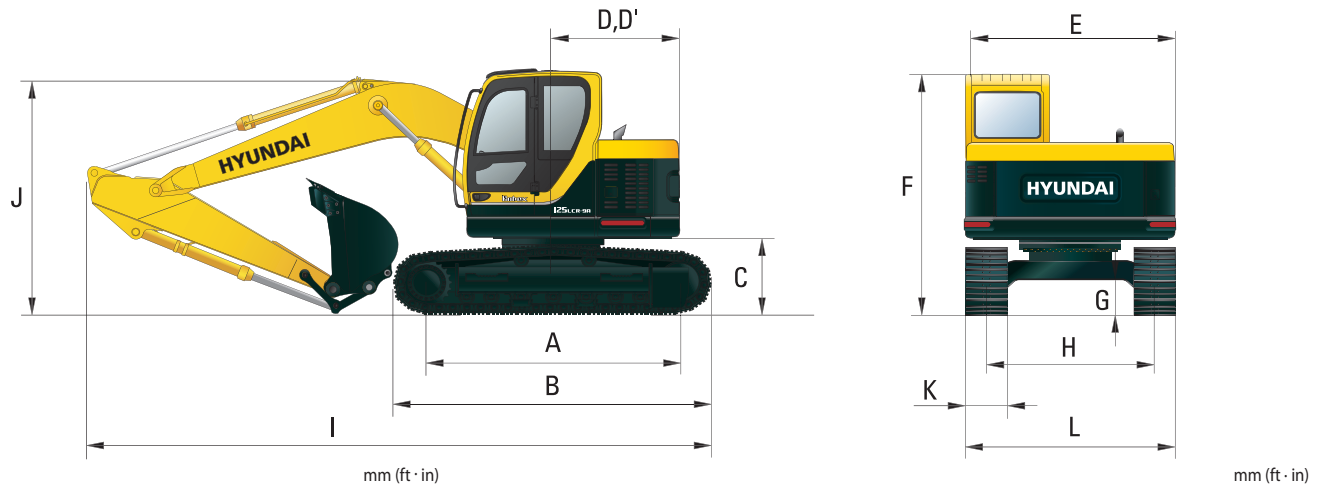
DIGGING FORCE R125LCR-9A

Boom	Length	mm (ft.in)	4,300 (14' 1")			Remarks:
	Weight	kg (lb)	950 (2,090)			
Arm	Length	mm (ft.in)	1,960 (6' 5")	2,260 (7' 5")	2,810 (9' 3")	[]: Power Boost
	Weight	kg (lb)	320 (710)	340 (750)	400 (880)	
Bucket digging force	SAE	kN	78.5 [85.6]	78.5 [85.6]	78.5 [85.6]	
		kgf	8,000 [8,730]	8,000 [8,730]	8,000 [8,730]	
		lbf	17,640 [19,240]	17,640 [19,240]	17,640 [19,240]	
	ISO	kN	90.2 [98.4]	90.2 [98.4]	90.2 [98.4]	
		kgf	9,200 [10,040]	9,200 [10,040]	9,200 [10,040]	
		lbf	20,280 [22,120]	20,280 [22,120]	20,280 [22,120]	
Arm crowd force	SAE	kN	60.2 [65.7]	55.7 [60.8]	48.1 [52.4]	
		kgf	6,140 [6,700]	5,680 [6,200]	4,900 [5,350]	
		lbf	13,540 [14,770]	12,520 [13,660]	10,800 [11,780]	
	ISO	kN	62.9 [68.6]	58.1 [63.3]	49.7 [54.2]	
		kgf	6,410 [6,990]	5,920 [6,460]	5,070 [5,530]	
		lbf	14,130 [15,410]	13,050 [14,240]	11,180 [12,200]	

Note: Boom weight includes arm cylinder, piping and pin
 Arm weight includes bucket cylinder, linkage and pin

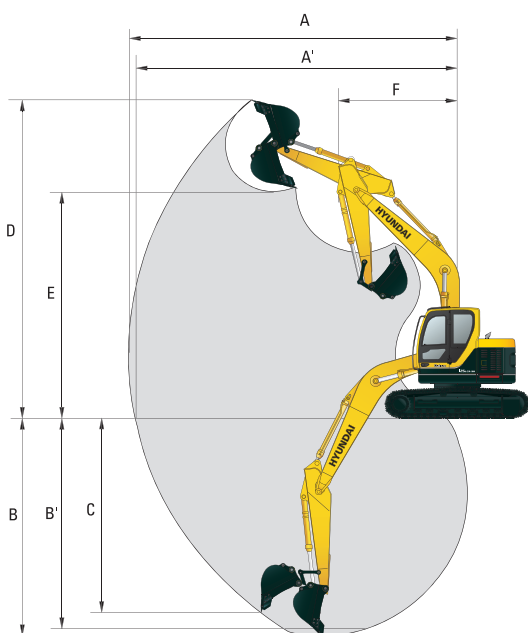
Dimensions & Working Ranges

DIMENSIONS R125LCR-9A



A Tumbler distance	2,780 (9' 2")	Boom length	4,300 (14' 1")		
B Overall length of crawler	3,680 (12' 1")	Arm length	1,960 (6' 5")	2,260 (7' 5")	2,810 (9' 3")
C Ground clearance of counterweight	890 (2' 10")	I Overall length	6,840 (22' 5")	6,860 (22' 6")	6,800 (22' 3")
D Tail swing radius	1,500 (4' 10")	J Overall height of boom	2,530 (8' 3")	2,740 (9' 0")	3,010 (10' 1")
D' Rear-end length	1,500 (4' 10")	K Track shoe width	500 (20")	600 (24")	700 (28")
E Overall width of upperstructure	2,490 (8' 2")	L Overall width	2,500 (8' 2")	2,600 (8' 6")	2,700 (8' 10")
F Overall height of cab	2,900 (9' 6")				
G Min. ground clearance	440 (1' 5")				
H Track gauge	1,990 (6' 6")				

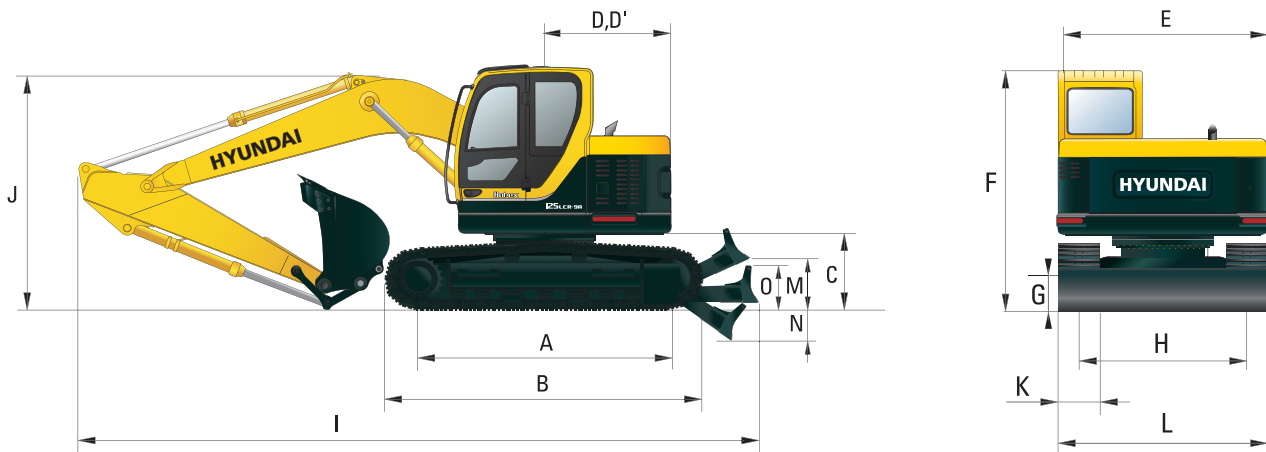
WORKING RANGES R125LCR-9A



Boom length	4,300 (14' 1")		
Arm length	1,960 (6' 5")	2,260 (7' 5")	2,810 (9' 3")
A Max. digging reach	7,420 (24' 4")	7,700 (25' 3")	8,230 (27' 0")
A' Max. digging reach on ground	7,270 (23' 10")	7,560 (24' 10")	8,090 (26' 6")
B Max. digging depth	4,760 (15' 7")	5,060 (16' 7")	5,610 (14' 0")
B' Max. digging depth (8° level)	4,500 (14' 9")	4,830 (15' 10")	5,420 (17' 8")
C Max. vertical wall digging depth	4,140 (13' 7")	4,410 (14' 6")	4,970 (16' 3")
D Max. digging height	7,910 (25' 11")	8,100 (26' 7")	8,480 (27' 9")
E Max. dumping height	5,550 (18' 3")	5,740 (18' 10")	6,120 (20' 1")
F Min. front swing radius	2,280 (7' 6")	2,340 (7' 8")	2,460 (8' 1")

Dimensions & Working Ranges

DIMENSIONS R125LCR-9A (DOZER TYPE)



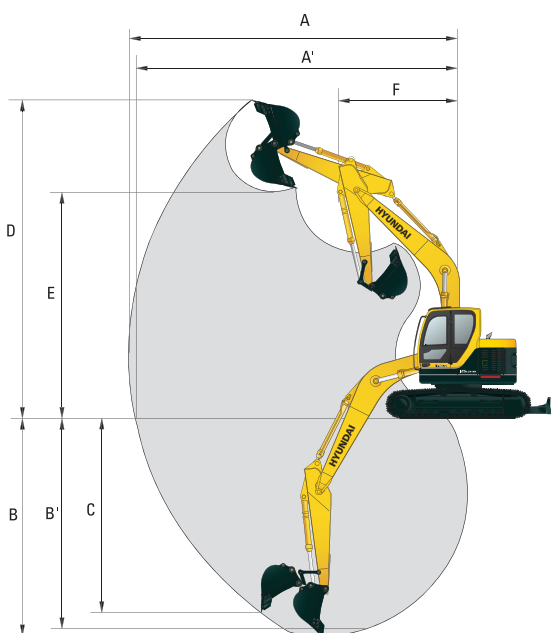
mm (ft · in)

mm (ft · in)

A Tumbler distance	2,780 (9' 2")	Boom length	4,300 (14' 1")		
B Overall length of crawler	3,678 (12' 1")	Arm length	1,960 (6' 5")	2,260 (7' 5")	2,810 (9' 3")
C Ground clearance of counterweight	890 (2' 10")	I Overall length	7,560 (24' 8")	7,580 (24' 9")	7,520 (24' 7")
D Tail swing radius	1,500 (4' 10")	J Overall height of boom	2,530 (8' 3")	2,740 (9' 0")	3,070 (10' 1")
D' Rear-end length	1,500 (4' 10")	K Track shoe width	500 (20")	600 (24")	700 (28")
E Overall width of upperstructure	2,490 (8' 2")	L Overall width	2,500 (8' 2")	2,600 (8' 6")	2,700 (8' 10")
F Overall height of cab	2,900 (9' 6")				
G Min. ground clearance	440 (1' 5")				
H Track gauge	1,990 (6' 6")				
M Max. Lifting height of dozer blade	540 (1' 8")				
N Max. depth of dozer blade	530 (1' 8")				
O Height of dozer blade	580 (1' 9")				

WORKING RANGES R125LCR-9A (DOZER TYPE)

mm (ft · in)



Boom length	4,300 (14' 1")		
Arm length	1,960 (6' 5")	2,260 (7' 5")	2,810 (9' 3")
A Max. digging reach	7,420 (24' 4")	7,700 (25' 3")	8,230 (27' 0")
A' Max. digging reach on ground	7,270 (23' 10")	7,560 (24' 10")	8,090 (26' 6")
B Max. digging depth	4,760 (15' 7")	5,060 (16' 7")	5,610 (18' 4")
B' Max. digging depth (8° level)	4,500 (14' 9")	4,830 (15' 10")	5,420 (17' 8")
C Max. vertical wall digging depth	4,140 (13' 7")	4,410 (14' 6")	4,970 (16' 3")
D Max. digging height	7,910 (25' 11")	8,100 (26' 7")	8,480 (27' 9")
E Max. dumping height	5,550 (18' 3")	5,740 (18' 10")	6,120 (20' 1")
F Min. front swing radius	2,280 (7' 6")	2,340 (7' 8")	2,460 (8' 1")

Lifting Capacities

R125LCR-9A

Rating over-front Rating over-side or 360 degrees

Boom : 4.3 m (14' 1") / Arm : 2.26 m (7' 5") / Bucket : 0.40 m³ SAE heaped / Shoe : 500 mm (20") triple grouser

Load point height m (ft)		Load radius								At max. reach		
		1.5 m (5 ft)		3.0 m (10 ft)		4.5 m (15 ft)		6.0 m (20 ft)		Capacity		Reach m (ft)
6.0 m (20 ft)	kg					*1780	*1780			*1770	1550	5.97
	lb					*3920	*3920			*3900	3420	(19.6)
4.5 m (15 ft)	kg					*1820	*1820	*1480	1470	1690	1120	6.90
	lb					*4010	*4010	*3260	3240	3730	2470	(22.6)
3.0 m (10 ft)	kg			*2850	*2850	*2300	*2300	*2090	1430	1460	940	7.34
	lb			*6280	*6280	*5070	*5070	*4610	3150	3220	2070	(24.1)
1.5 m (5 ft)	kg			*4670	4290	*2980	2210	2030	1340	1390	890	7.41
	lb			*10300	9460	*6570	4870	4480	2950	3060	1960	(24.3)
Ground Line	kg			*5790	3890	3130	2030	1950	1260	1470	940	7.13
	lb			*12760	8580	6900	4480	4300	2780	3240	2070	(23.4)
-1.5 m (-5 ft)	kg	*5690	*5690	*5970	3790	3040	1950	1920	1230	1760	1140	6.42
	lb	*12540	*12540	*13160	8360	6700	4300	4230	2710	3880	2510	(21.1)
-3.0 m (-10 ft)	kg	*8700	*8700	*5360	3860	3070	1980			*2290	1760	5.08
	lb	*19180	*19180	*11820	8510	6770	4370			*5050	3880	(16.7)

Boom : 4.3 m (14' 1") / Arm : 1.96 m (6' 5") / Bucket : 0.40 m³ SAE heaped / Shoe : 500 mm (20") triple grouser

Load point height m (ft)		Load radius								At max. reach		
		1.5 m (5 ft)		3.0 m (10 ft)		4.5 m (15 ft)		6.0 m (20 ft)		Capacity		Reach m (ft)
6.0 m (20 ft)	kg					*1780	*1780			*1900	1740	5.61
	lb					*3920	*3920			*4190	3840	(18.4)
4.5 m (15 ft)	kg					*2040	*2040			1840	1230	6.59
	lb					*4500	*4500			4060	2710	(21.6)
3.0 m (10 ft)	kg			*3270	*3270	*2500	2410	2110	1410	1570	1020	7.06
	lb			*7210	*7210	*5510	5310	4650	3110	3460	2250	(23.2)
1.5 m (5 ft)	kg			*5030	4200	*3160	2190	2030	1340	1500	970	7.13
	lb			*11090	9260	*6970	4830	4480	2950	3310	2140	(23.4)
Ground Line	kg			*5940	3870	3130	2030	1960	1270	1590	1030	6.83
	lb			*13100	8530	6900	4480	4320	2800	3510	2270	(22.4)
-1.5 m (-5 ft)	kg	*6190	*6190	*5920	3820	3060	1970			1940	1270	6.08
	lb	*13650	*13650	*13050	8420	6750	4340			4280	2800	(19.9)
-3.0 m (-10 ft)	kg	*9140	*9140	*5210	3940	3130	2040					
	lb	*20150	*20150	*11290	8690	6900	4500					

Boom : 4.3 m (14' 1") / Arm : 2.81 m (9' 2") / Bucket : 0.40 m³ SAE heaped / Shoe : 500 mm (20") triple grouser

Load point height m (ft)		Load radius								At max. reach		
		1.5 m (5 ft)		3.0 m (10 ft)		4.5 m (15 ft)		6.0 m (20 ft)		Capacity		Reach m (ft)
6.0 m (20 ft)	kg									*1550	1250	6.64
	lb									*3420	2760	(21.8)
4.5 m (15 ft)	kg							*1620	1510	1450	940	7.47
	lb							*3570	3330	3200	2070	(24.5)
3.0 m (10 ft)	kg					*1910	*1910	*1810	1440	1260	800	7.88
	lb					*4210	*4210	*3990	3170	2780	1760	(25.9)
1.5 m (5 ft)	kg			*3960	*3960	*2640	2250	2030	1340	1210	750	7.95
	lb			*8730	*8730	*5820	4960	4480	2950	2670	1650	(26.1)
Ground Line	kg	*3340	*3340	5420	3940	3140	2030	1930	1240	1260	780	7.68
	lb	*7360	*7360	*11950	8690	6920	4480	4250	2730	2780	1720	(25.2)
-1.5 m (-5 ft)	kg	*5070	*5070	*5920	3750	3000	1910	1870	1180	1470	920	7.04
	lb	*11180	*11180	*13050	8270	6610	4210	4120	2600	3240	2030	(23.1)
-3.0 m (-10 ft)	kg	*7380	*7380	*5640	3760	2990	1900			2030	1320	5.88
	lb	*16270	*16270	*12430	8290	6590	4190			4480	2910	(19.3)
-4.5 m (-15 ft)	kg			*4290	3950							
	lb			*9460	8710							

- Lifting capacity is based on SAE J1097, ISO 10567.
- Lifting capacity of the Robex Series does not exceed 75% of the tipping load with the machine on firm, level ground or 87% of full hydraulic capacity.
- The load point is a hook located on the back of the bucket.
- (*) indicates the load limited by hydraulic capacity.

Lifting Capacities

R125LCRD-9A

Rating over-front Rating over-side or 360 degrees

Boom : 4.3 m (14' 1") / Arm : 2.26 m (7' 5") / Bucket : 0.40 m³ SAE heaped / Shoe : 500 mm (20") triple grouser

Load point height m (ft)		Load radius								At max. reach		
		1.5 m (5 ft)		3.0 m (10 ft)		4.5 m (15 ft)		6.0 m (20 ft)		Capacity		Reach m (ft)
6.0 m (20 ft)	kg					*1780	*1780			*1770	*1770	5.97
	lb					*3920	*3920			*3900	*3900	(19.6)
4.5 m (15 ft)	kg					*1820	*1820	*1480	*1480	*1850	1350	6.90
	lb					*4010	*4010	*3260	*3260	*4080	2980	(22.6)
3.0 m (10 ft)	kg			*2850	*2850	*2300	*2300	*2090	1700	*1940	1150	7.34
	lb			*6280	*6280	*5070	*5070	*4610	3750	*4280	2540	(24.1)
1.5 m (5 ft)	kg			*4670	*4670	*2980	2630	*2370	1610	*2060	1090	7.41
	lb			*10300	*10300	*6570	5800	*5220	3550	*4540	2400	(24.3)
Ground Line	kg			*5790	4710	*3560	2440	*2630	1530	*2180	1150	7.13
	lb			*12760	10380	*7850	5380	*5800	3370	*4810	2540	(23.4)
-1.5 m (-5 ft)	kg	*5690	*5690	*5970	4600	*3770	2360	*2660	1500	*2300	1380	6.42
	lb	*12540	*12540	*13160	10140	*8310	5200	*5860	3310	*5070	3040	(21.1)
-3.0 m (-10 ft)	kg	*8700	*8700	*5360	4680	*3430	2390			*2290	2100	5.08
	lb	*19180	*19180	*11820	10320	*7560	5270			*5050	4630	(16.7)

Boom : 4.3 m (14' 1") / Arm : 1.96 m (6' 5") / Bucket : 0.40 m³ SAE heaped / Shoe : 500 mm (20") triple grouser

Load point height m (ft)		Load radius								At max. reach		
		1.5 m (5 ft)		3.0 m (10 ft)		4.5 m (15 ft)		6.0 m (20 ft)		Capacity		Reach m (ft)
6.0 m (20 ft)	kg					*1780	*1780			*1900	*1900	5.61
	lb					*3920	*3920			*4190	*4190	(18.4)
4.5 m (15 ft)	kg					*2040	*2040			*1970	1470	6.59
	lb					*4500	*4500			*4340	3240	(21.6)
3.0 m (10 ft)	kg			*3270	*3270	*2500	*2500	*2230	1690	*2070	1250	7.06
	lb			*7210	*7210	*5510	*5510	*4920	3730	*4560	2760	(23.2)
1.5 m (5 ft)	kg			*5030	5030	*3160	2610	*2480	1610	*2190	1180	7.13
	lb			*11090	11090	*6970	5750	*5470	3550	*4830	2600	(23.4)
Ground Line	kg			*5940	4690	*3660	2440	*2690	1540	*2320	1250	6.83
	lb			*13100	10340	*8070	5380	*5930	3400	*5110	2760	(22.4)
-1.5 m (-5 ft)	kg	*6190	*6190	*5920	4640	*3790	2380			*2420	1540	6.08
	lb	*13650	*13650	*13050	10230	*8360	5050			*5340	3400	(19.9)
-3.0 m (-10 ft)	kg	*9140	*9140	*5210	4750	*3240	2450					
	lb	*20150	*20150	*11290	10470	*7140	5400					

Boom : 4.3 m (14' 1") / Arm : 2.81 m (9' 2") / Bucket : 0.40 m³ SAE heaped / Shoe : 500 mm (20") triple grouser

Load point height m (ft)		Load radius								At max. reach		
		1.5 m (5 ft)		3.0 m (10 ft)		4.5 m (15 ft)		6.0 m (20 ft)		Capacity		Reach m (ft)
6.0 m (20 ft)	kg									*1550	1490	6.64
	lb									*3420	3280	(21.8)
4.5 m (15 ft)	kg							*1620	*1620	*1630	1150	7.47
	lb							*3570	*3570	*3590	2540	(24.5)
3.0 m (10 ft)	kg					*1910	*1910	*1810	1720	*1720	990	7.88
	lb					*4210	*4210	*3990	3790	*3790	2180	(25.9)
1.5 m (5 ft)	kg			*3960	*3960	*2640	*2640	*2140	1610	*1820	940	7.95
	lb			*8730	*8730	*5820	*5820	4720	3550	*4010	2070	(26.1)
Ground Line	kg	*3340	*3340	5420	4760	*3320	2440	*2460	1510	*1950	980	7.68
	lb	*7360	*7360	*11950	10490	*7320	5380	*5420	3330	*4300	2160	(25.2)
-1.5 m (-5 ft)	kg	*5070	*5070	*5920	4560	*3680	2320	*2630	1450	*2070	1140	7.04
	lb	*11180	*11180	*13050	10050	*8110	5110	*5800	3200	*4560	2510	(23.1)
-3.0 m (-10 ft)	kg	*7380	*7380	*5640	4570	*3590	2310			*2150	1600	5.88
	lb	*16270	*16270	*12430	10080	*7910	5090			*4740	3530	(19.3)
-4.5 m (-15 ft)	kg			*4290	*4290							
	lb			*9460	*9460							

- Lifting capacity is based on SAE J1097, ISO 10567.
- Lifting capacity of the Robex Series does not exceed 75% of the tipping load with the machine on firm, level ground or 87% of full hydraulic capacity.
- The load point is a hook located on the back of the bucket.
- (*) indicates the load limited by hydraulic capacity.

STANDARD EQUIPMENT R125LCR-9A

ISO Standard cabin

All-weather steel cab with 360° visibility
Safety glass windows
Rise-up type windshield wiper
Sliding fold-in front window
Sliding side window (LH)
One key fits all lockable doors
Hot & cool box
Storage compartment & Ashtray
Radio / MP3 Player with remote control and USB-input
Handsfree mobile phone system with USB-charging device
Transparent cabin roof-cover
12 volt power outlet (24V DC to 12V DC converter)
Sun visor
Rain guard - front window
Computer aided power optimization (CAPO) system

3-power modes, 2-work modes, User mode
Auto & one-touch deceleration system
Auto warm-up system
Overheat prevention system

Automatic temperature control
Air conditioner & heater
Defroster

Self-diagnostics system

Starting Aid (air grid heater) for cold weather

Centralized monitoring

LCD display
Engine speed or Trip meter
Clock
Gauges
- Fuel level gauge
- Engine coolant temperature gauge
- Hyd. oil temperature gauge
Warning lamps
- Engine warning
- Overload
- Communication error
- Low battery
- Air filter clogging
Indicators
- Max power
- Fuel warmer
- Auto deceleration
Rearview camera

Two outside rearview mirrors

Mechanical suspension seat with heater

Adjustable joysticks

Four front working lights

Electric horn

Batteries (2 x 12V x 72 Ah)

Battery master switch

Removable clean-out screen for coolers

Automatic swing brake

Removable reservoir tank

Fuel pre-filter with fuel warmer

Boom holding system

Arm holding system

Triple grousers shoe (500 mm; 20")

Track rail guard

Accumulator for lowering work equipment

Electric transducer

Lower frame under cover

Fuel filler pump (35 l/min)

Safety lock valve for boom cylinder with overload warning device

Double-acting piping kit (clamshell, etc.)

Travel alarm

Quick coupler piping

Boom

4.3 m; 14' 1"

Arm

2.26 m; 7' 5"

Cabin ROPS (ISO 12117-2)

ROPS (Roll Over Protective Structure)

Hi-mate (Remote Management System)

OPTIONAL EQUIPMENT R125LCR-9A

Beacon lamp

Safety lock valve for arm cylinder

Single-acting piping kit (breaker, etc.)

Arms

1.96 m; 6' 5"

2.81 m; 9' 3"

Cabin FOPS/FOG (ISO/DIS 10262 Level II)

FOPS (Falling Object Protective Structure)

FOG (Falling Object Guard)

Cabin lights

Track shoes

Triple grousers shoe (600 mm; 24")

Triple grousers shoe (700 mm; 28")

Rubber pad (500 mm; 20")

Track pad (500 mm; 20")

Additional lower frame - reinforced under cover

Dozer blade

Tool kit

Seat

Air suspension seat with heater

- * Standard and optional equipment may vary. Contact your Hyundai dealer for more information. The machine may vary according to international standards.
- * The photos may include attachments and optional equipment that are not available in your area.
- * Materials and specifications are subject to change without advance notice.
- * All imperial measurements rounded off to the nearest pound or inch.

PLEASE CONTACT

