

Specifications R235LCR-9A

ENGINE

MODEL	CUMMINS QSB6.7	
Type	Water cooled, 4 cycle Diesel, 6-Cylinders in line, direct injection, turbocharged, charged air cooled and low emission	
Rated flywheel horse power		
SAE	J1995 (gross)	167 HP (124 kW) / 1,950 rpm
	J1349 (net)	157 HP (117 kW) / 1,950 rpm
DIN	6271/1 (gross)	169 PS (124 kW) / 1,950 rpm
	6271/1 (net)	159 PS (117 kW) / 1,950 rpm
Max. torque	74.7 kgf.m (540 lbf.ft) / 1,500 rpm	
Bore x stroke	107 mm x 124 mm (4.2" x 4.9")	
Piston displacement	6,700 cc (409 in ³)	
Batteries	2 x 12 V x 100 AH	
Starting motor	24 V, 4.8 kW	
Alternator	24 V, 95 Amp	

* This engine meets the EPA (Tier 4 interim) / EU (Stage III-B) Emission regulation.

HYDRAULIC SYSTEM

MAIN PUMP	
Type	Variable displacement tandem-axis piston pumps
Max. flow	2 x 228.2 l/min (60.3 US gpm/50.2 UK gpm)
Sub-pump for pilot circuit	Gear pump

Cross-sensing and fuel saving pump system

HYDRAULIC MOTORS	
Travel	Two-speed axial piston motor with brake valve and parking brake
Swing	Axial piston motor with automatic brake

RELIEF VALVE SETTING	
Implement circuits	350 kgf/cm ² (4,980 psi)
Travel	350 kgf/cm ² (4,980 psi)
Power boost (boom, arm, bucket)	380 kgf/cm ² (5,410 psi)
Swing circuit	285 kgf/cm ² (4,050 psi)
Pilot circuit	40 kgf/cm ² (570 psi)
Service valve	Installed

HYDRAULIC CYLINDERS	
No. of cylinder-bore x stroke	Boom: 2-120 x 1,290 mm (4.7" x 50.8")
	Arm: 1-140 x 1,510 mm (5.5" x 59.4")
	Bucket: 1-120 x 1,055 mm (4.7" x 41.5")

DRIVES & BRAKES

Drive method	Fully hydrostatic type
Drive motor	Axial piston motor, in-shoe design
Reduction system	Planetary reduction gear
Max. drawbar pull	21,400 kgf (47,180 lbf)
Max. travel speed (high) / (low)	5.8 km/h (3.6mph) / 3.4 km/h (2.1mph)
Gradeability	30° (58 %)
Parking brake	Multi wet disc

CONTROL

Pilot pressure operated joysticks and pedals with detachable lever provide almost effortless and fatigueless operation.

Pilot control	Two joysticks with one safety lever (LH): Swing and arm (RH): Boom and bucket (ISO)
Traveling and steering	Two levers with pedals
Engine throttle	Electric, Dial type

SWING SYSTEM

Swing motor	Fixed displacement axial piston motor
Swing reduction	Planetary gear reduction
Swing bearing lubrication	Grease-bathed
Swing brake	Multi wet disc
Swing speed	10.7 rpm

COOLANT & LUBRICANT CAPACITY

	liter	US gal	UK gal
Refilling			
Fuel tank	320	84.5	70.4
Engine coolant	38	10	8.4
Engine oil	23.7	6.3	5.2
Swing device	6.2	1.6	1.4
Final drive (each)	6	1.6	1.3
Hydraulic system (including tank)	275	72.6	60.5
Hydraulic tank	160	42.3	35.2

UNDERCARRIAGE

The X-leg type center frame is integrally welded with reinforced box-section track frames. The undercarriage includes lubricated rollers, idlers, track adjusters with shock absorbing springs and sprockets, and a track chain with double or triple grouser shoes.

Center frame	X - leg type
Track frame	Pentagonal box type
No. of shoes on each side	49 EA
No. of carrier rollers on each side	2 EA
No. of track rollers on each side	9 EA
No. of rail guards on each side	2 EA

OPERATING WEIGHT (APPROXIMATE)

Operating weight, including 5,680 mm (18' 8") boom, 2,920 mm (9' 7") arm, SAE heaped 0.80 m³ (1.05 yd³) bucket, lubricant, coolant, full fuel tank, full hydraulic tank and all standard equipments.

MAJOR COMPONENT WEIGHT	
Upperstructure	5,600 kg (12,350 lb)
Boom (with arm cylinder)	1,950 kg (4,300 lb)
Arm (with bucket cylinder)	1,095 kg (2,410 lb)

OPERATING WEIGHT			
Shoes		Operating weight	Ground pressure
Type	Width mm (in)	kg (lb)	kgf/cm ² (psi)
Triple grouser	600 (24")	23,800 (52,470)	0.51 (7.25)
	700 (28")	24,060 (53,040)	0.44 (6.26)
	800 (32")	24,320 (53,620)	0.39 (5.55)
	900 (36")	24,580 (54,190)	0.35 (4.98)

BUCKETS R235LCR-9A

All buckets are welded with high-strength steel.



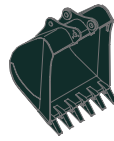
0.51 (0.67)



0.80 (1.05)
0.87 (1.14)
0.92 (1.20)



1.10 (1.44)
1.20 (1.57)



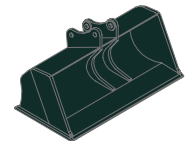
1.34 (1.75)



◆ 0.74 (0.97)
◆ 0.90 (1.18)
◆ 1.05 (1.37)



● 0.87 (1.14)



■ 0.75 (0.98)

SAE heaped m³ (yd³)

Capacity m ³ (yd ³)		Width mm (in)		Weight kg (lb)	Recommendation m (ft.in)		
SAE heaped	CECE heaped	Without side cutters	With side cutters		5.68 (18' 8") Boom		
					2.0 (6' 7") Arm	2.4 (7' 10") Arm	2.92 (9' 7") Arm
0.51 (0.67)	0.45 (0.59)	700 (27.6)	820 (32.3)	570 (1,260)	●	●	●
0.80 (1.05)	0.70 (0.92)	1,000 (39.4)	1,120 (44.1)	700 (1,540)	●	●	●
0.87 (1.14)	0.75 (0.98)	1,090 (42.9)	1,210 (47.6)	740 (1,630)	●	●	■
0.92 (1.20)	0.80 (1.05)	1,150 (45.3)	1,270 (50.0)	770 (1,700)	●	●	■
1.10 (1.44)	0.96 (1.26)	1,320 (52.0)	1,440 (56.7)	830 (1,830)	●	■	▲
1.20 (1.57)	1.00 (1.31)	1,400 (55.1)	1,520 (59.8)	850 (1,870)	■	▲	—
1.34 (1.75)	1.15 (1.50)	1,550 (61.0)	1,670 (65.7)	920 (2,030)	▲	▲	—
◆ 0.74 (0.97)	0.65 (0.85)	985 (38.8)	-	770 (1,700)	●	●	●
◆ 0.90 (1.18)	0.80 (1.05)	1,070 (42.1)	-	810 (1,790)	●	●	■
◆ 1.05 (1.37)	0.92 (1.20)	1,290 (50.8)	-	890 (1,960)	●	■	▲
● 0.87 (1.14)	0.75 (0.98)	1,140 (44.9)	-	900 (1,980)	●	●	■
■ 0.75 (0.98)	0.65 (0.85)	1,790 (70.5)	-	880 (1,940)	●	●	■

◆ Heavy-duty bucket

■ Slope finishing bucket

● Heavy-duty Rock-bucket

● : Applicable for materials with density of 2,000 kg/m³ (3,370 lb/yd³) or less

■ : Applicable for materials with density of 1,600 kg/m³ (2,700 lb/yd³) or less

▲ : Applicable for materials with density of 1,100 kg/m³ (1,850 lb/yd³) or less

ATTACHMENT R235LCR-9A

Booms and arms are welded, a low-stress, full-box section design.

5.68 m (18' 8") boom and 2.0 m (6' 7"); 2.4 m (7' 10") & 2.92 m (9' 7") Arms are available.

DIGGING FORCE R235LCR-9A

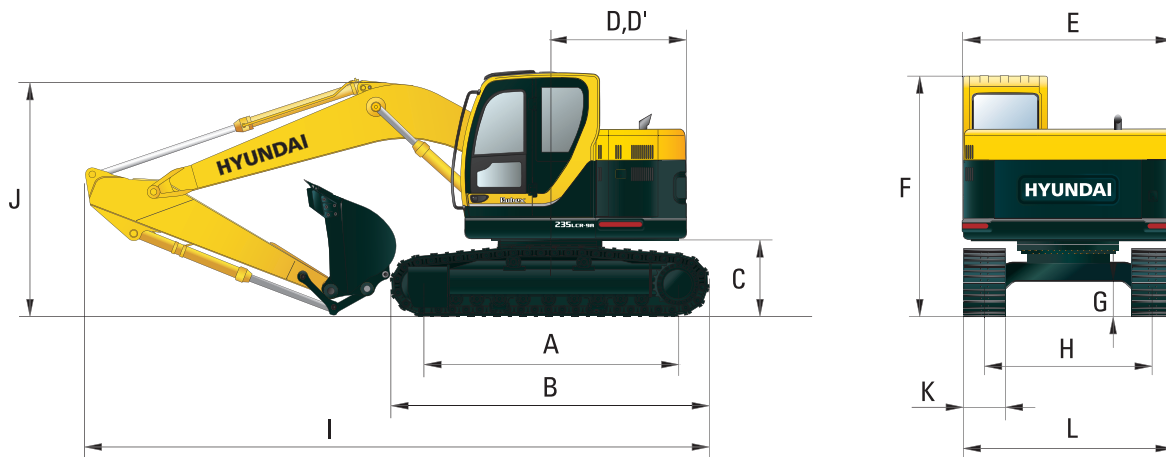
Boom	Length	mm (ft.in)	5,680 (18' 8")			Remarks
	Weight	kg (lb)	1,950 (4,300)			
Arm	Length	mm (ft.in)	2,000 (6' 7")	2,400 (7' 10")	2,920 (9' 7")	Power Boost
	Weight	kg (lb)	975 (2,150)	1,045 (2,300)	1,095 (2,410)	
Bucket digging force	SAE	kN	133.4 [144.8]	133.4 [144.8]	133.4 [144.8]	[]: Power Boost
		kgf	13600 [14770]	13600 [14770]	13600 [14770]	
		lbf	29980 [32550]	29980 [32550]	29980 [32550]	
	ISO	kN	152.0 [165.0]	152.0 [165.0]	152.0 [165.0]	
		kgf	15500 [16830]	15500 [16830]	15500 [16830]	
		lbf	34170 [37100]	34170 [37100]	34170 [37100]	
Arm crowd force	SAE	kN	144.2 [156.5]	119.6 [129.9]	102.0 [110.7]	[]: Power Boost
		kgf	14700 [15960]	12200 [13250]	10400 [11290]	
		lbf	32410 [35190]	26900 [29210]	22930 [24900]	
	ISO	kN	151.0 [164.0]	125.5 [136.3]	106.9 [116.1]	
		kgf	15400 [16720]	12800 [13900]	10900 [11830]	
		lbf	33950 [36860]	28220 [30640]	24030 [26090]	

Note: Boom weight includes arm cylinder, piping and pin

Arm weight includes bucket cylinder, linkage and pin

Dimensions & Working Ranges

DIMENSIONS R235LCR-9A



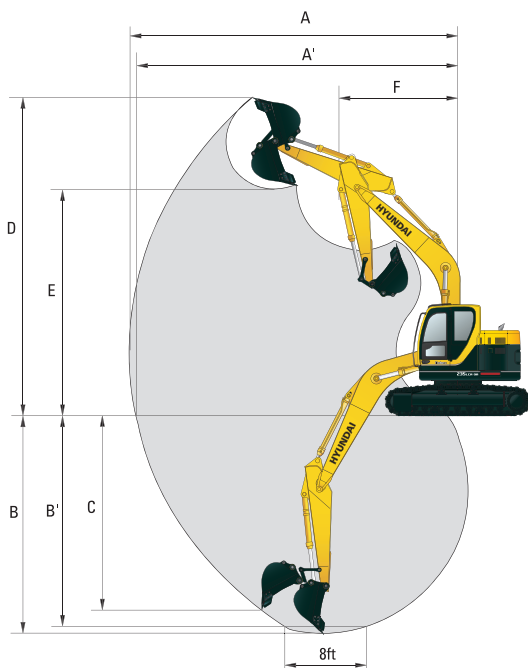
mm (ft · in)

mm (ft · in)

A Tumbler distance	3,650 (11' 12")	Boom length	5,680 (18' 8")			
B Overall length of crawler	4,440 (14' 7")	Arm length	2,000 (6' 7")	2,400 (7' 10")	2,920 (9' 7")	
C Ground clearance of counterweight	1,060 (3' 6")	I Overall length	9,040 (29' 8")	8,950 (29' 4")	8,910 (29' 3")	
D Tail swing radius	1,780 (6' 04")	J Overall height of boom	3,200 (10' 6")	3,100 (10' 2")	3,020 (9' 11")	
D' Rear-end length	1,780 (6' 04")	K Track shoe width	600 (24")	700 (28")	800 (32")	900 (36")
E Overall width of upperstructure	2,980 (9' 9")	L Overall width	2,990 (9' 10")	3,090 (10' 2")	3,190 (10' 6")	3,290 (10' 10")
F Overall height of cab	2,950 (9' 8")					
G Min. ground clearance	480 (1' 7")					
H Track gauge	2,390 (7' 10")					

WORKING RANGES R235LCR-9A

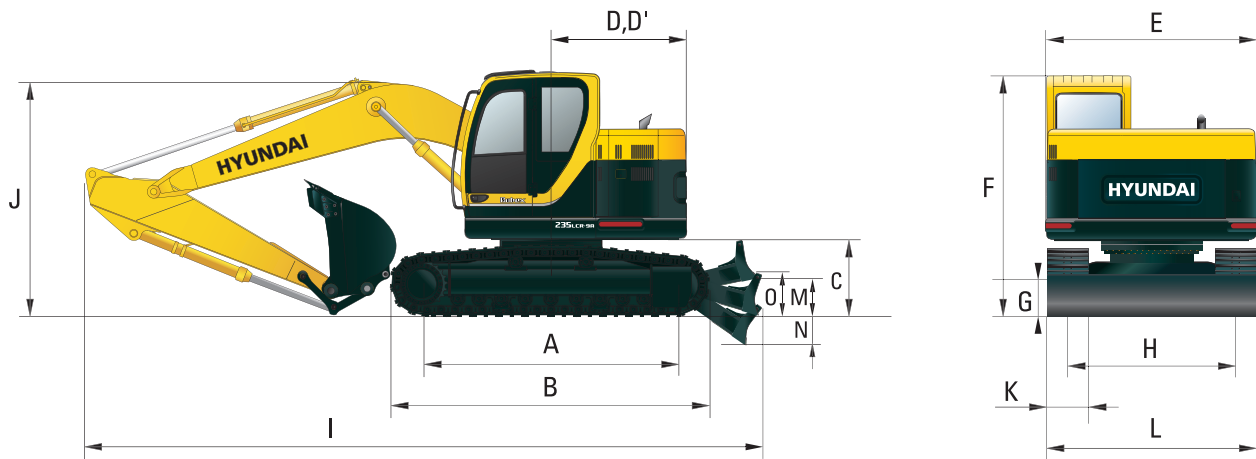
mm (ft · in)



Boom length	5,680 (18' 8")		
Arm length	2,000 (6' 7")	2,400 (7' 10")	2,920 (9' 7")
A Max. digging reach	9,040 (29' 8")	9,430 (30' 11")	9,910 (32' 6")
A' Max. digging reach on ground	8,860 (29' 1")	9,260 (30' 5")	9,750 (31' 12")
B Max. digging depth	5,780 (18' 12")	6,180 (20' 3")	6,700 (21' 12")
B' Max. digging depth (8° level)	5,550 (18' 3")	5,980 (19' 7")	6,530 (21' 5")
C Max. vertical wall digging depth	5,140 (16' 10")	5,710 (18' 9")	6,270 (20' 7")
D Max. digging height	10,090 (33' 1")	10,420 (34' 2")	10,830 (35' 6")
E Max. dumping height	7,190 (23' 7")	7,510 (24' 8")	7,890 (25' 11")
F Min. front swing radius	2,860 (9' 5")	2,550 (8' 4")	2,350 (7' 9")

Dimensions & Working Ranges

DIMENSIONS R235LCR-9A (DOZER TYPE)



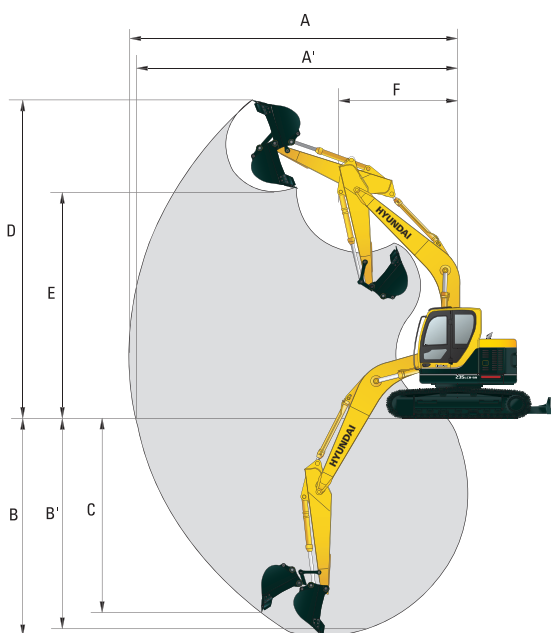
mm (ft · in)

mm (ft · in)

A Tumbler distance	3,650 (11' 12")	Boom length	5,680 (18' 8")			
B Overall length of crawler	4,440 (14' 7")	Arm length	2,000 (6' 7")	2,400 (7' 10")	2,920 (9' 7")	
C Ground clearance of counterweight	1,060 (3' 6")	I Overall length	10,020 (32' 10")	9,930 (32' 7")	9,890 (32' 5")	
D Tail swing radius	1,780 (6' 04")	J Overall height of boom	3,200 (10' 6")	3,100 (10' 2")	3,020 (9' 11")	
D' Rear-end length	1,780 (6' 04")	K Track shoe width	600 (24")	700 (28")	800 (32")	900 (36")
E Overall width of upperstructure	2,980 (9' 9")	L Overall width	2,990 (9' 10")	3,090 (10' 2")	3,190 (10' 6")	3,290 (10' 10")
F Overall height of cab	2,950 (9' 8")					
G Min. ground clearance	480 (1' 7")					
H Track gauge	2,390 (7' 10")					
M Max. Lifting height of dozer blade	575 (1' 11")					
N Max. depth of dozer blade	390 (1' 3")					
O Height of dozer blade	710 (2' 4")					

WORKING RANGES R235LCR-9A (DOZER TYPE)

mm (ft · in)



Boom length	5,680 (18' 8")		
Arm length	2,000 (6' 7")	2,400 (7' 10")	2,920 (9' 7")
A Max. digging reach	9,040 (29' 8")	9,430 (30' 11")	9,910 (32' 6")
A' Max. digging reach on ground	8,860 (29' 1")	9,260 (30' 5")	9,750 (31' 12")
B Max. digging depth	5,780 (18' 3")	6,180 (20' 3")	6,700 (21' 12")
B' Max. digging depth (8' level)	5,555 (18' 3")	5,980 (19' 7")	6,530 (21' 5")
C Max. vertical wall digging depth	5,140 (16' 10")	5,710 (18' 9")	6,270 (20' 7")
D Max. digging height	10,090 (33' 1")	10,420 (34' 2")	10,830 (35' 6")
E Max. dumping height	7,190 (23' 7")	7,510 (24' 8")	7,890 (25' 11")
F Min. front swing radius	2,860 (9' 5")	2,550 (8' 4")	2,350 (7' 9")

Lifting Capacities

R235LCR-9A

Rating over-front Rating over-side or 360 degrees

Boom : 5.68 m (18' 8") / Arm : 2.00 m (6' 7") / Bucket : 0.80 m³ (1.05 yd³) SAE heaped / Shoe : 600 mm (24") triple grouser

Load point height m (ft)		Load radius								At max. reach		
		3.0 m (10 ft)		4.5 m (15 ft)		6.0 m (20 ft)		7.5 m (25 ft)		Capacity		Reach m (ft)
10.5 m (35 ft)	kg									*4210	*4210	4.63
	lb									*9280	*9280	(15.2)
9.0 m (30 ft)	kg									*4630	*4630	4.48
	lb									*10210	*10210	(14.7)
7.5 m (25 ft)	kg			*4820	*4820					*4150	*4150	6.56
	lb			*10630	*10630					*9150	*9150	(21.5)
6.0 m (20 ft)	kg			*4980	*4980	*4590	*4590			*4050	*4050	7.70
	lb			*10980	*10980	*10120	*10120			*8930	*8930	(25.3)
4.5 m (15 ft)	kg	*8350	*8350	*5930	*5930	*4910	*4910	4570		*4050	*4050	8.36
	lb	*18410	*18410	*13070	*13070	*10820	10080			*8930	*8930	(27.4)
3.0 m (10 ft)	kg			*7310	6760	*5490	4310	*4620	2960	*4080	*4080	8.67
	lb			*16120	14900	*12100	9500	*10190	6530	*8990	*8990	(28.4)
1.5 m (5 ft)	kg			*8410	6250	*6040	4070	*4820	2860	*4130	*4130	8.66
	lb			*18540	13780	*13320	8970	*10630	6310	*9110	*9110	(28.4)
Ground Line	kg			*8720	6020	*6300	3910			*4150	*4150	8.36
	lb			*19220	13270	*13890	8620			*9150	*9150	(27.4)
-1.5 m (-5 ft)	kg	*11480	*11480	*8320	5980	*6110	3860			*4070	*4070	7.69
	lb	*25310	*25310	*18340	13180	*13470	8510			*8970	*8970	(25.2)
-3.0 m (-10 ft)	kg	*9710	*9710	*7190	6090	*5140	3950			*3660	*3660	6.55
	lb	*21410	*21410	*15850	13430	*11330	8710			*8070	*8070	(21.5)

Boom : 5.68 m (18' 8") / Arm : 2.40 m (7' 10") / Bucket : 0.80 m³ (1.05 yd³) SAE heaped / Shoe : 600 mm (24") triple grouser

Load point height m (ft)		Load radius								At max. reach				
		1.5 m (5 ft)		3.0 m (10 ft)		4.5 m (15 ft)		6.0 m (20 ft)		7.5 m (25 ft)		Capacity		Reach m (ft)
9.0 m (30 ft)	kg											*4110	*4110	5.25
	lb											*9060	*9060	(17.2)
7.5 m (25 ft)	kg					*4280	*4280					*3820	*3820	7.07
	lb					*9440	*9440					*8420	*8420	(23.2)
6.0 m (20 ft)	kg					*4500	*4500	*4220	*4220			*3760	*3760	8.12
	lb					*9920	*9920	*9300	*9300			*8290	*8290	(26.6)
4.5 m (15 ft)	kg			*7270	*7270	*5450	*5450	*4600	*4600	*3950	3080	*3770	*3770	8.74
	lb			*16030	*16030	*12020	*12020	*10140	*10140	*8710	6790	*8310	*8310	(28.7)
3.0 m (10 ft)	kg			*11380	*11380	*6850	*6850	*5230	*5230	*4420	2980	*3820	*3820	9.04
	lb			*25090	*25090	*15100	*15100	*11530	9590	*9740	6570	*8420	*8420	(29.7)
1.5 m (5 ft)	kg					*8100	6310	*5840	4080	*4690	2850	*3850	*3850	9.03
	lb					*17860	13910	*12870	8990	*10340	6280	*8490	*8490	(29.6)
Ground Line	kg			*9120	*9120	*8640	6000	*6210	3890	*4820	2750	*3930	*3930	8.74
	lb			*20110	*20110	*19050	13230	*13690	8580	*10630	6060	*8660	*8660	(28.7)
-1.5 m (-5 ft)	kg	*9720	*9720	*12220	11860	*8450	5920	*6160	3810			*3900	*3900	8.12
	lb	*21430	*21430	*26940	26150	*18630	13050	*13580	8400			*8600	*8600	(26.6)
-3.0 m (-10 ft)	kg	*14180	*14180	*10550	*10550	*7550	5990	*5480	3850			*3650	*3650	7.06
	lb	*31260	*31260	*23260	*23260	*16640	13210	*12080	8490			*8050	*8050	(23.2)
-4.5 m (-15 ft)	kg			*7670	*7670	*5530	*5530							
	lb			*16910	*16910	*12190	*12190							

Boom : 5.68 m (18' 8") / Arm : 2.92 m (9' 7") / Bucket : 0.80 m³ (1.05 yd³) SAE heaped / Shoe : 600 mm (24") triple grouser

Load point height m (ft)		Load radius								At max. reach				
		1.5 m (5 ft)		3.0 m (10 ft)		4.5 m (15 ft)		6.0 m (20 ft)		7.5 m (25 ft)		Capacity		Reach m (ft)
9.0 m (30 ft)	kg					*2970	*2970					*3630	*3630	6.12
	lb					*6550	*6550					*8000	*8000	(20.1)
7.5 m (25 ft)	kg							*3310	*3310			*3460	*3460	7.70
	lb							*7300	*7300			*7630	*7630	(25.3)
6.0 m (20 ft)	kg							*3780	*3780			*3430	*3430	8.66
	lb							*8330	*8330			*7560	*7560	(28.4)
4.5 m (15 ft)	kg					*4810	*4810	*4190	*4190	*3860	3140	*3460	*3460	9.24
	lb					*10600	*10600	*9240	*9240	*8510	6920	*7630	*7630	(30.3)
3.0 m (10 ft)	kg			*9730	*9730	*6240	*6240	*4860	*4860	*4150	3000	*3520	*3520	9.52
	lb			*21450	*21450	*13760	*13760	*10710	9720	*9150	6610	*7760	*7760	(31.2)
1.5 m (5 ft)	kg			*9500	*9500	*7650	6410	*5560	4110	*4490	2850	*3520	*3520	9.52
	lb			*20940	*20940	*16870	14130	*12260	9060	*9900	6280	*7760	*7760	(31.2)
Ground Line	kg			*9890	*9890	*8460	6010	*6050	3880	*4720	2730	*3650	*3650	9.24
	lb			*21800	*21800	*18650	13250	*13340	8550	*10410	6020	*8050	*8050	(30.3)
-1.5 m (-5 ft)	kg	*8800	*8800	*12860	11680	*8530	5850	*6160	3760	*4690	2660	*3670	*3670	8.66
	lb	*19400	*19400	*28350	25750	*18810	12900	*13580	8290	*10340	5860	*8090	*8090	(28.4)
-3.0 m (-10 ft)	kg	*12230	*12230	*11440	*11440	*7900	5870	*5740	3750			*3560	*3560	7.69
	lb	*26960	*26960	*25220	*25220	*17420	12940	*12650	8270			*7850	*7850	(25.2)
-4.5 m (-15 ft)	kg			*8990	*8990	*6360	6050					*2980	*2980	6.11
	lb			*19820	*19820	*14020	13340					*6570	*6570	(20.0)

- Lifting capacity is based on SAE J1097, ISO 10567.
- Lifting capacity of the Robex Series does not exceed 75% of the tipping load with the machine on firm, level ground or 87% of full hydraulic capacity.
- The load point is a hook located on the back of the bucket.
- (*) indicates the load limited by hydraulic capacity.

Lifting Capacities

R235LCR-9A (DOZER TYPE)

Rating over-front Rating over-side or 360 degrees

Boom : 5.68 m (18' 8") / Arm : 2.00 m (6' 7") / Bucket : 0.80 m³ (1.05 yd³) SAE heaped / Shoe : 600 mm (24") triple grouser, Dozer blade Down

Load point height m (ft)		Load radius								At max. reach		
		3.0 m (10 ft)		4.5 m (15 ft)		6.0 m (20 ft)		7.5 m (25 ft)		Capacity		Reach m (ft)
10.5 m (35 ft)	kg									*4210	*4210	4.63
	lb									*9280	*9280	(15.2)
9.0 m (30 ft)	kg									*4630	*4630	4.48
	lb									*10210	*10210	(14.7)
7.5 m (25 ft)	kg			*4820	*4820					*4150	*4150	6.56
	lb			*10630	*10630					*9150	*9150	(21.5)
6.0 m (20 ft)	kg			*4980	*4980	*4590	*4590			*4050	*4050	7.70
	lb			*10980	*10980	*10120	*10120			*8930	*8930	(25.3)
4.5 m (15 ft)	kg	*8350	*8350	*5930	*5930	*4910	*4910			*4050	*4050	8.36
	lb	*18410	*18410	*13070	*13070	*10820	*10820			*8930	*8930	(27.4)
3.0 m (10 ft)	kg			*7310	*7310	*5490	4890	*4620	3380	*4080	*4080	8.67
	lb			*16120	*16120	*12100	10780	*10190	7450	*8990	*8990	(28.4)
1.5 m (5 ft)	kg			*8410	7130	*6040	4640	*4820	3280	*4130	*4130	8.66
	lb			*18540	15720	*13320	10230	*10630	7230	*9110	*9110	(28.4)
Ground Line	kg			*8720	6900	*6300	4480			*4150	*4150	8.36
	lb			*19220	15210	*13890	9880			*9150	*9150	(27.4)
-1.5 m (-5 ft)	kg	*11480	*11480	*8320	6860	*6110	4430			*4070	*4070	7.69
	lb	*25310	*25310	*18340	15120	*13470	9770			*8970	*8970	(25.2)
-3.0 m (-10 ft)	kg	*9710	*9710	*7190	6980	*5140	4520			*3660	*3660	6.55
	lb	*21410	*21410	*15850	15390	*11330	9960			*8070	*8070	(21.5)

Boom : 5.68 m (18' 8") / Arm : 2.00 m (6' 7") / Bucket : 0.80 m³ (1.05 yd³) SAE heaped / Shoe : 600 mm (24") triple grouser, Dozer blade Up

Load point height m (ft)		Load radius								At max. reach		
		3.0 m (10 ft)		4.5 m (15 ft)		6.0 m (20 ft)		7.5 m (25 ft)		Capacity		Reach m (ft)
10.5 m (35 ft)	kg									*4210	*4210	4.63
	lb									*9280	*9280	(15.2)
9.0 m (30 ft)	kg									*4630	*4630	4.48
	lb									*10210	*10210	(14.7)
7.5 m (25 ft)	kg			*4820	*4820					*4150	*4150	6.56
	lb			*10630	*10630					*9150	*9150	(21.5)
6.0 m (20 ft)	kg			*4980	*4980	*4590	*4590			*4050	*4050	7.70
	lb			*10980	*10980	*10120	*10120			*8930	*8930	(25.3)
4.5 m (15 ft)	kg	*8350	*8350	*5930	*5930	*4910	4830			*4050	*4050	8.36
	lb	*18410	*18410	*13070	*13070	*10820	10650			*8930	*8930	(27.4)
3.0 m (10 ft)	kg			*7310	7140	*5490	4570	*4620	3160	*4080	*4080	8.67
	lb			*16120	15740	*12100	10080	*10190	6970	*8990	*8990	(28.4)
1.5 m (5 ft)	kg			*8410	6630	*6040	4330	*4820	3050	4060	4060	8.66
	lb			*18540	14620	*13320	9550	*10630	6720	8950	8950	(28.4)
Ground Line	kg			*8720	6400	*6300	4170			*4150	*4150	8.36
	lb			*19220	14110	*13890	9190			*9150	*9150	(27.4)
-1.5 m (-5 ft)	kg	*11480	*11480	*8320	6360	*6110	4120			*4070	*4070	7.69
	lb	*25310	*25310	*18340	14020	*13470	9080			*8970	*8970	(25.2)
-3.0 m (-10 ft)	kg	*9710	*9710	*7190	6470	*5140	4210			*3660	*3660	6.55
	lb	*21410	*21410	*15850	14260	*11330	9280			*8070	*8070	(21.5)

- Lifting capacity is based on SAE J1097, ISO 10567.
- Lifting capacity of the Robex Series does not exceed 75% of the tipping load with the machine on firm, level ground or 87% of full hydraulic capacity.
- The load point is a hook located on the back of the bucket.
- (*) indicates the load limited by hydraulic capacity.

Lifting Capacities

R235LCR-9A (DOZER TYPE)

Rating over-front Rating over-side or 360 degrees

Boom : 5.68 m (18' 8") / Arm : 2.40 m (7' 10") / Bucket : 0.80 m³ (1.05 yd³) SAE heaped / Shoe : 600 mm (24") triple grouser, Dozer blade Down

Load point height m (ft)		Load radius										At max. reach			
		1.5 m (5 ft)		3.0 m (10 ft)		4.5 m (15 ft)		6.0 m (20 ft)		7.5 m (25 ft)		Capacity		Reach	
														m (ft)	
9.0 m (30 ft)	kg lb												*4110 *9060	*4110 *9060	5.25 (17.2)
7.5 m (25 ft)	kg lb					*4280 *9440	*4280 *9440						*3820 *8420	*3820 *8420	7.07 (23.2)
6.0 m (20 ft)	kg lb					*4500 *9920	*4500 *9920	*4220 *9300	*4220 *9300				*3760 *8290	3160 6970	8.12 (26.6)
4.5 m (15 ft)	kg lb			*7270 *16030	*7270 *16030	*5450 *12020	*5450 *12020	*4600 *10140	*4600 *10140	*3950 *8710	3510 7740		*3770 *8310	2700 5950	8.74 (28.7)
3.0 m (10 ft)	kg lb			*11380 *25090	*11380 *25090	*6850 *15100	*6850 *15100	*5230 *11530	4920 10850	*4420 *9740	3400 7500		*3820 *8420	2480 5470	9.04 (29.7)
1.5 m (5 ft)	kg lb					*8100 *17860	7190 15850	*5840 *12870	4650 10250	*4690 *10340	3270 7210		*3880 *8550	2420 5340	9.03 (29.6)
Ground Line	kg lb			*9120 *20110	*9120 *20110	*8640 *19050	6880 15170	*6210 *13690	4460 9830	*4820 *10630	3170 6990		*3930 *8660	2530 5580	8.74 (28.7)
-1.5 m (-5 ft)	kg lb	*9720 *21430	*9720 *21430	*12220 *26940	*12220 *26940	*8450 *18630	6790 14970	*6160 *13580	4370 9630				*3900 *8600	2870 6330	8.12 (26.6)
-3.0 m (-10 ft)	kg lb	*14180 *31260	*14180 *31260	*10550 *23260	*10550 *23260	*7550 *16640	6870 15150	*5480 *12080	4420 9740				*3650 *8050	3650 8050	7.06 (23.2)
-4.5 m (-15 ft)	kg lb			*7670 *16910	*7670 *16910	*5530 *12190	*5530 *12190								

Boom : 5.68 m (18' 8") / Arm : 2.40 m (7' 10") / Bucket : 0.80 m³ (1.05 yd³) SAE heaped / Shoe : 600 mm (24") triple grouser, Dozer blade Up

Load point height m (ft)		Load radius										At max. reach			
		1.5 m (5 ft)		3.0 m (10 ft)		4.5 m (15 ft)		6.0 m (20 ft)		7.5 m (25 ft)		Capacity		Reach	
														m (ft)	
9.0 m (30 ft)	kg lb												*4110 *9060	*4110 *9060	5.25 (17.2)
7.5 m (25 ft)	kg lb					*4280 *9440	*4280 *9440						*3820 *8420	*3820 *8420	7.07 (23.2)
6.0 m (20 ft)	kg lb					*4500 *9920	*4500 *9920	*4220 *9300	*4220 *9300				*3760 *8290	2960 6530	8.12 (26.6)
4.5 m (15 ft)	kg lb			*7270 *16030	*7270 *16030	*5450 *12020	*5450 *12020	*4600 *10140	*4600 *10140	*3950 *8710	3280 7230		*3770 *8310	2520 5560	8.74 (28.7)
3.0 m (10 ft)	kg lb			*11380 *25090	*11380 *25090	*6850 *15100	*6850 *15100	*5230 *11530	4610 10160	*4420 *9740	3170 6990		*3820 *8420	2300 5070	9.04 (29.7)
1.5 m (5 ft)	kg lb					*8100 *17860	6690 14750	*5840 *12870	4340 9570	*4690 *10340	3050 6720		*3780 *8330	2250 4960	9.03 (29.6)
Ground Line	kg lb			*9120 *20110	*9120 *20110	*8640 *19050	6380 14070	*6210 *13690	4150 9150	*4820 *10630	2950 6500		*3930 *8660	2360 5200	8.74 (28.7)
-1.5 m (-5 ft)	kg lb	*9720 *21430	*9720 *21430	*12220 *26940	*12220 *26940	*8450 *18630	6300 13890	*6160 *13580	4070 8970				*3900 *8600	2670 5890	8.12 (26.6)
-3.0 m (-10 ft)	kg lb	*14180 *31260	*14180 *31260	*10550 *23260	*10550 *23260	*7550 *16640	6370 14040	*5480 *12080	4110 9060				*3650 *8050	3410 7520	7.06 (23.2)
-4.5 m (-15 ft)	kg lb			*7670 *16910	*7670 *16910	*5530 *12190	*5530 *12190								

- Lifting capacity is based on SAE J1097, ISO 10567.
- Lifting capacity of the Robex Series does not exceed 75% of the tipping load with the machine on firm, level ground or 87% of full hydraulic capacity.
- The load point is a hook located on the back of the bucket.
- (*) indicates the load limited by hydraulic capacity.

Lifting Capacities

R235LCR-9A (DOZER TYPE)

Rating over-front Rating over-side or 360 degrees

Boom : 5.68 m (18' 8") / Arm : 2.92 m (9' 7") / Bucket : 0.80 m³ (1.05 yd³) SAE heaped / Shoe : 600 mm (24") triple grouser, Dozer blade Down

Load point height m (ft)		Load radius								At max. reach				
		1.5 m (5 ft)		3.0 m (10 ft)		4.5 m (15 ft)		6.0 m (20 ft)		7.5 m (25 ft)		Capacity		Reach m (ft)
9.0 m (30 ft)	kg lb					*2970 *6550	*2970 *6550					*3630 *8000	*3630 *8000	6.12 (20.1)
7.5 m (25 ft)	kg lb							*3310 *7300	*3310 *7300			*3460 *7630	*3460 *7630	7.70 (25.3)
6.0 m (20 ft)	kg lb							*3780 *8330	*3780 *8330			*3430 *7560	*2830 6240	8.66 (28.4)
4.5 m (15 ft)	kg lb					*4810 *10600	*4810 *10600	*4190 *9240	*4190 *9240	*3860 *8510	3560 7850	*3460 *7630	2440 5380	9.24 (30.3)
3.0 m (10 ft)	kg lb			*9730 *21450	*9730 *21450	*6240 *13760	*6240 *13760	*4860 *10710	*4860 *10710	*4150 *9150	3420 7540	*3520 *7760	2250 4960	9.52 (31.2)
1.5 m (5 ft)	kg lb			*9500 *20940	*9500 *20940	*7650 *16870	7300 16090	*5560 *12260	4680 10320	*4490 *9900	3270 7210	*3590 *7910	2200 4850	9.52 (31.2)
Ground Line	kg lb			*9890 *21800	*9890 *21800	*8460 *18650	6890 15190	*6050 *13340	4450 9810	*4720 *10410	3140 6920	*3650 *8050	2280 5030	9.24 (30.3)
-1.5 m (-5 ft)	kg lb	*8800 *19400	*8800 *19400	*12860 *28350	*12860 *28350	*8530 *18810	6730 14840	*6160 *13580	4320 9520	*4690 *10340	3080 6790	*3670 *8090	2540 5600	8.66 (28.4)
-3.0 m (-10 ft)	kg lb	*12230 *26960	*12230 *26960	*11440 *25220	*11440 *25220	*7900 *17420	6750 14880	*5740 *12650	4320 9520			*3560 *7850	3120 6880	7.69 (25.2)
-4.5 m (-15 ft)	kg lb			*8990 *19820	*8990 *19820	*6360 *14020	*6360 *14020					*2980 *6570	*2980 *6570	6.11 (20.0)

Boom : 5.68 m (18' 8") / Arm : 2.92 m (9' 7") / Bucket : 0.80 m³ (1.05 yd³) SAE heaped / Shoe : 600 mm (24") triple grouser, Dozer blade Up

Load point height m (ft)		Load radius								At max. reach				
		1.5 m (5 ft)		3.0 m (10 ft)		4.5 m (15 ft)		6.0 m (20 ft)		7.5 m (25 ft)		Capacity		Reach m (ft)
9.0 m (30 ft)	kg lb					*2970 *6550	*2970 *6550					*3630 *8000	*3630 *8000	6.12 (20.1)
7.5 m (25 ft)	kg lb							*3310 *7300	*3310 *7300			*3460 *7630	3370 7430	7.70 (25.3)
6.0 m (20 ft)	kg lb							*3780 *8330	*3780 *8330			*3430 *7560	2650 5840	8.66 (28.4)
4.5 m (15 ft)	kg lb					*4810 *10600	*4810 *10600	*4190 *9240	*4190 *9240	*3860 *8510	3330 7340	*3460 *7630	2270 5000	9.24 (30.3)
3.0 m (10 ft)	kg lb			*9730 *21450	*9730 *21450	*6240 *13760	*6240 *13760	*4860 *10710	4670 10300	*4150 *9150	3200 7050	3510 7740	2090 4610	9.52 (31.2)
1.5 m (5 ft)	kg lb			*9500 *20940	*9500 *20940	*7650 *16870	6790 14970	*5560 *12260	4370 9630	*4490 *9900	3050 6720	3450 7610	2040 4500	9.52 (31.2)
Ground Line	kg lb			*9890 *21800	*9890 *21800	*8460 *18650	6390 14090	*6050 *13340	4140 9130	*4720 *10410	2920 6440	3590 7910	2120 4670	9.24 (30.3)
-1.5 m (-5 ft)	kg lb	*8800 *19400	*8800 *19400	*12860 *28350	12390 27320	*8530 *18810	6240 13760	*6160 *13580	4020 8860	*4690 *10340	2860 6310	*3670 *8090	2360 5200	8.66 (28.4)
-3.0 m (-10 ft)	kg lb	*12230 *26960	*12230 *26960	*11440 *25220	*11440 *25220	*7900 *17420	6250 13780	*5740 *12650	4010 8840			*3560 *7850	2910 6420	7.69 (25.2)
-4.5 m (-15 ft)	kg lb			*8990 *19820	*8990 *19820	*6360 *14020	*6360 *14020					*2980 *6570	*2980 *6570	6.11 (20.0)

- Lifting capacity is based on SAE J1097, ISO 10567.
- Lifting capacity of the Robex Series does not exceed 75% of the tipping load with the machine on firm, level ground or 87% of full hydraulic capacity.
- The load point is a hook located on the back of the bucket.
- (*) indicates the load limited by hydraulic capacity.

STANDARD EQUIPMENT R235LCR-9A

ISO Standard cabin

All-weather steel cab with 360° visibility
Safety glass windows
Rise-up type windshield wiper
Sliding fold-in front window
Sliding side window (LH)
One key fits all lockable doors
Hot & cool box
Storage compartment & Ashtray
Radio / MP3 Player with remote control and USB-input
Handsfree mobile phone system with USB-charging device
Transparent cabin roof-cover
12 volt power outlet (24V DC to 12V DC converter)
Sun visor
Rain guard - front window

Computer aided power optimization (CAPO) system

3-power modes, 2-work modes, User mode
Auto & one-touch deceleration system
Auto warm-up system
Overheat prevention system

Automatic temperature control

Air conditioner & heater
Defroster

Self-diagnostics system

Starting Aid (air grid heater) for cold weather

Centralized monitoring

LCD display
Engine speed or Trip meter
Clock
Gauges
- Fuel level gauge
- Engine coolant temperature gauge
- Hyd. oil temperature gauge
Warning lamps
- Engine warning
- Overload
- Communication error
- Low battery
- Air filter clogging
Indicators
- Max power
- Low speed/High speed
- Fuel warmer
- Auto deceleration
Rearview camera

Door and cab locks, one key

Three outside rearview mirrors

Mechanical suspension seat with heater

Adjustable joysticks

Console box tilting system

Four front working lights

Electric horn

Batteries (2 x 12V x 100 AH)

Battery master switch

Removable clean-out screen for coolers

Automatic swing brake

Fuel pre-filter with fuel warmer

Boom holding system

Arm holding system

Track shoes (600 mm; 24")

Track rail guard

Accumulator for lowering work equipment

Lower frame under cover

Viscous fan clutch

Fuel filler pump (50 ℓ/min)

Safety lock valve for boom cylinder with overload warning device

Double-acting piping kit (clamshell, etc.)

Travel alarm

Boom

5.68 m; 18' 8"

Arm

2.92 m; 9' 7"

Cabin ROPS (ISO 12117-2)

ROPS (Roll Over Protective Structure)

Hi-mate (Remote Management System)

OPTIONAL EQUIPMENT R235LCR-9A

Beacon lamp

Safety lock valve for arm cylinder

Single-acting piping kit (breaker, etc.)

Quick coupler

Arms

2.0 m; 6' 7"

2.4 m; 7' 10"

Cabin FOPS/FOG (ISO/DIS 10262 Level II)

FOPS (Falling Object Protective Structure)

FOG (Falling Object Guard)

Cabin lights

Track shoes

700 mm; 28"

800 mm; 32"

900 mm; 36"

Additional lower frame - reinforced under cover

Seat

Adjustable air suspension seat with heater

Pattern change valve (2 patterns)

- * Standard and optional equipment may vary. Contact your Hyundai dealer for more information. The machine may vary according to international standards.
- * The photos may include attachments and optional equipment that are not available in your area.
- * Materials and specifications are subject to change without advance notice.
- * All imperial measurements rounded off to the nearest pound or inch.

PLEASE CONTACT

