

Specifications R160W-9A

ENGINE

MODEL	CUMMINS QSB6.7	
Type	Water cooled, 4 cycle Diesel, 6-Cylinders in line, direct injection, turbocharged, charged air cooled and low emission	
Rated flywheel horse power		
SAE	J1995 (gross)	165 HP (123 kW) / 2,200 rpm
	J1349 (net)	155 HP (115 kW) / 2,200 rpm
DIN	6271/1 (gross)	167 PS (123 kW) / 2,200 rpm
	6271/1 (net)	157 PS (115 kW) / 2,200 rpm
Max. torque	74.7 kgf.m (540 lbf.ft) / 1,500 rpm	
Bore x stroke	107 x 124 mm (4.21" x 4.88")	
Piston displacement	6,700 cc (409 in ³)	
Batteries	2 x 12 V x 100 Ah	
Starting motor	24 V - 4.8 kW	
Alternator	24 V - 95 A	

* This engine meets the EPA (Tier 4 interim) / EU (Stage III-B) Emission regulation.

HYDRAULIC SYSTEM

MAIN PUMP	
Type	Two variable displacement piston pumps
Max. flow	2 x 172 l/min (45.4 US gpm / 37.8 UK gpm)
Sub-pump for pilot circuit	Gear pump

Cross-sensing and fuel saving pump system

HYDRAULIC MOTORS

Travel	Bent - axis piston motor with brake valve and parking brake
Swing	Axial piston motor with automatic brake

RELIEF VALVE SETTING

Implement circuits	350 kgf/cm ² (4,970 psi)
Travel	380 kgf/cm ² (5,400 psi)
Power boost (boom, arm, bucket)	380 kgf/cm ² (5,400 psi)
Swing circuit	285 kgf/cm ² (4,050 psi)
Pilot circuit	40 kgf/cm ² (570 psi)
Service valve	Installed

HYDRAULIC CYLINDERS

No. of cylinder-bore x stroke	Boom : 2-115 x 1,090 mm (4.5" x 42.9")
	Arm : 1-120 x 1,355 mm (4.7" x 53.3")
	Bucket : 1-110 x 995 mm (4.3" x 39.2")
	Blade : 2-110 x 235 mm (4.3" x 9.3")
	Outrigger : 2-125 x 475 mm (4.9" x 18.2")
	2PC-boom : 1st: 2-115 x 760 mm (4.1" x 37.8") 2nd: 1-160 x 650 mm (6.3" x 25.6")

DRIVES & BRAKES

4-wheel hydrostatic drive. Constant mesh, helical gear transmission provides 2 forward and reverse travel speeds.

Max. drawbar pull	11,000 kgf (24,250 lbf)	
Travel speed	1st	9.5 km/h
	2nd	36.6 km/h
Gradeability	35° (70 %)	

Parking brake : Independent dual brake, front and rear axle full hydraulic power brake.
- Spring activated and hydraulic released
- Wet type multiple disk brake

CONTROL

Pilot pressure operated joysticks and pedals with detachable lever provide almost effortless and fatigueless operation.

Pilot control	Two joysticks with one safety lever (LH): Swing and arm (RH): Boom and bucket (ISO)
Engine throttle	Electric, Dial type
Lights	Two lights mounted on the boom, one under the battery box and one under the cabin

AXLE & WHEEL

Free oscillation front axle which can be blocked automatically or manually.
Fixed rear axle for max. stability.

Tires	10.00 - 20 - 14PR, Dual (tube type)
(optional)	10.00 - 20, Dual (solid type)

SWING SYSTEM

Swing motor	Fixed displacement axial piston motor
Swing reduction	Planetary gear reduction
Swing bearing lubrication	Grease-bathed
Swing brake	Multi wet disc
Swing speed	9.5 rpm

STEERING SYSTEM

Hydraulically actuated, orbitrol type steering system.

Min. turning radius	6.3 m (20' 8")
---------------------	----------------

COOLANT & LUBRICANT CAPACITY

	liter	US gal	UK gal
Fuel tank	270	71.3	59.4
Engine coolant	19.5	5.2	4.3
Engine oil	23.7	6.26	5.21
Swing device - gear oil	6.2	1.64	1.36
Axle	Front	15.5	4.09
	Rear	17.5	4.62
Hydraulic system (including tank)	210	55.5	46.2
Hydraulic tank	125	32.8	27.3

UNDERCARRIAGE

Reinforced box-section frame is all-welded, low-stress.
Dozer blade and outriggers are available. A bolt-on design.

Dozer blade	A very useful tool for leveling, back filling or clean-up work.
Outrigger	Maximum stability for digging and lifting work, can be installed on the front and/or rear side.

OPERATING WEIGHT (APPROXIMATE)

Operating weight, including 5,000 mm (16' 5") Mono boom; 2,200 mm (7' 3") arm, SAE heaped 0.70 m³ (0.91 yd³) backhoe bucket, lubricant, coolant, full fuel tank, full hydraulic tank and all standard equipments.

MAJOR COMPONENT WEIGHT	
Upperstructure	4,500 kg (9,920 lb)
Mono boom (with arm cylinder)	1,220 kg (2,688 lb)

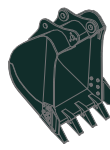
OPERATING WEIGHT	
Rear dozer blade	16,700 kg (36,813 lb)
Rear outriggers	16,850 kg (37,153 lb)
Front outriggers and rear blade	17,820 kg (39,288 lb)
Front blade and rear outriggers	17,780 kg (39,200 lb)
Four outriggers	18,000 kg (36,683 lb)

BUCKETS R160W-9A

All buckets are welded with high-strength steel.



0.39 (0.51)



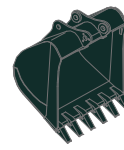
0.50 (0.65)



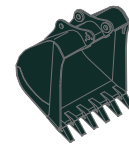
0.64 (0.84)



0.70 (0.92)



0.89 (1.16)



■ 0.69 (0.90)

SAE heaped m³ (yd³)

Capacity m ³ (yd ³)		Width mm (in)		Weight kg (lb)	Recommendation mm (ft.in)		
SAE heaped	CECE heaped	Without side cutters	With side cutters		5,000 mm (16' 5") Mono Boom		
					2,200 (7' 3") Arm	2,500 (8' 2") Arm	3,100 (10' 2") Arm
0.39 (0.51)	0.34 (0.44)	620 (24.4)	740 (29.1)	410 (900)	●	●	●
0.50 (0.65)	0.44 (0.58)	760 (29.9)	880 (34.6)	470 (1,040)	●	●	●
0.64 (0.84)	0.55 (0.72)	920 (36.2)	1,040 (40.9)	510 (1,120)	●	●	■
0.70 (0.92)	0.60 (0.78)	990 (39.0)	1,110 (43.7)	540 (1,190)	●	■	■
0.89 (1.16)	0.77 (1.01)	1,220 (48.0)	1,340 (52.8)	610 (1,340)	▲	▲	—
■ 0.69 (0.9)	0.62 (0.81)	990 (39.0)	-	700 (1,540)	■	■	▲

■ Heavy duty bucket

● : Applicable for materials with density of 2,000 kg/m³ (3,370 lb/yd³) or less

■ : Applicable for materials with density of 1,600 kg/m³ (2,700 lb/yd³) or less

▲ : Applicable for materials with density of 1,100 kg/m³ (1,850 lb/yd³) or less

ATTACHMENT R160W-9A

Booms and arms are welded, a low-stress, full-box section design.
5.0 m & 5.1 m booms and 2.2 m; 2.5 m & 3.1 m arms are available.

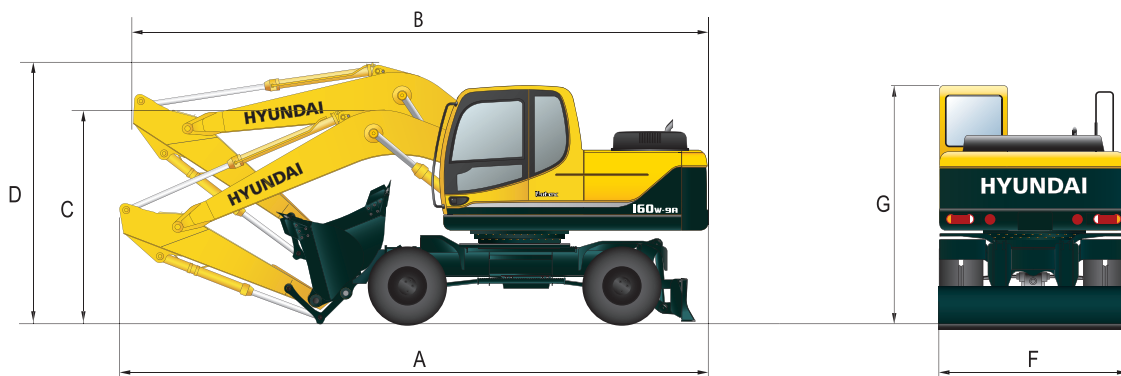
DIGGING FORCE R160W-9A

Boom	Length	mm (ft-in)	5,000 mm (16' 5")			5,100 mm (16' 9")		Remarks:
	Weight	kg (lb)	1,040 (2,290)			-		
Arm	Length	mm (ft-in)	2,200 (7' 3")	2,500 (8' 2")	3,100 (10' 2")	2,200 (7' 3")	2,500 (8' 2")	[]: Power Boost
	Weight	kg (lb)	560 (1,230)	580 (1,280)	610 (1,340)	560 (1,230)	580 (1,280)	
Bucket digging force	SAE	kN	107.9 [117.1]	107.9 [117.1]	107.9 [117.1]	-	-	
		kgf	11,000 [11,940]	11,000 [11,940]	11,000 [11,940]	-	-	
		lbf	24,250 [26,330]	24,250 [26,330]	24,250 [26,330]	-	-	
	ISO	kN	124.5 [135.2]	124.5 [135.2]	124.5 [135.2]	124.5 [135.2]	124.5 [135.2]	
		kgf	12,700 [13,790]	12,700 [13,790]	12,700 [13,790]	12,700 [13,790]	12,700 [13,790]	
		lbf	28,000 [30,400]	28,000 [30,400]	28,000 [30,400]	28,000 [30,400]	28,000 [30,400]	
Arm crowd force	SAE	kN	87.2 [94.7]	78.5 [85.2]	69.4 [75.3]	-	-	
		kgf	8,890 [9,650]	8,000 [8,690]	7,080 [7,690]	-	-	
		lbf	19,600 [21,280]	17,640 [19,150]	15,610 [16,950]	-	-	
	ISO	kN	91.1 [98.9]	81.7 [88.7]	71.9 [78.1]	91.1 [98.9]	81.7 [88.7]	
		kgf	9,290 [10,090]	8,330 [9,040]	7,330 [7,960]	9,290 [10,090]	8,330 [9,040]	
		lbf	20,480 [22,240]	18,360 [19,930]	16,160 [17,550]	20,480 [22,240]	18,360 [19,930]	

Note: Boom weight includes arm cylinder, piping and pin
Arm weight includes bucket cylinder, linkage and pin

Dimensions & Working Ranges

DIMENSIONS R160W-9A

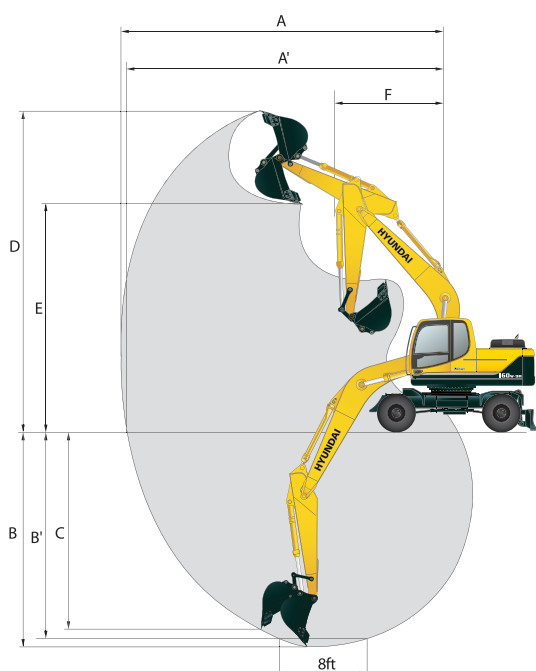


mm (ft · in)

Mono Boom	5,000 mm (16' 5")		
Arm	2,200 (7' 3")	2,500 (8' 2")	3,100 (10' 2")
A Overall length - shipping position	8,480 (27' 10")	8,470 (27' 9")	8,510 (27' 11")
B Overall length - traveling position	8,480 (27' 10")	8,320 (27' 4")	8,220 (26' 12")
C Height of attachment - shipping position	3,120 (10' 3")	3,170 (10' 5")	3,320 (10' 11")
D Height of attachment - traveling position	3,380 (11' 1")	3,800 (12' 6")	3,980 (13' 1")
F Overall width	2,500 (8' 2")	2,500 (8' 2")	2,500 (8' 2")
G Overall height of cab	3,190 (10' 6")	3,190 (10' 6")	3,190 (10' 6")

WORKING RANGES R160W-9A

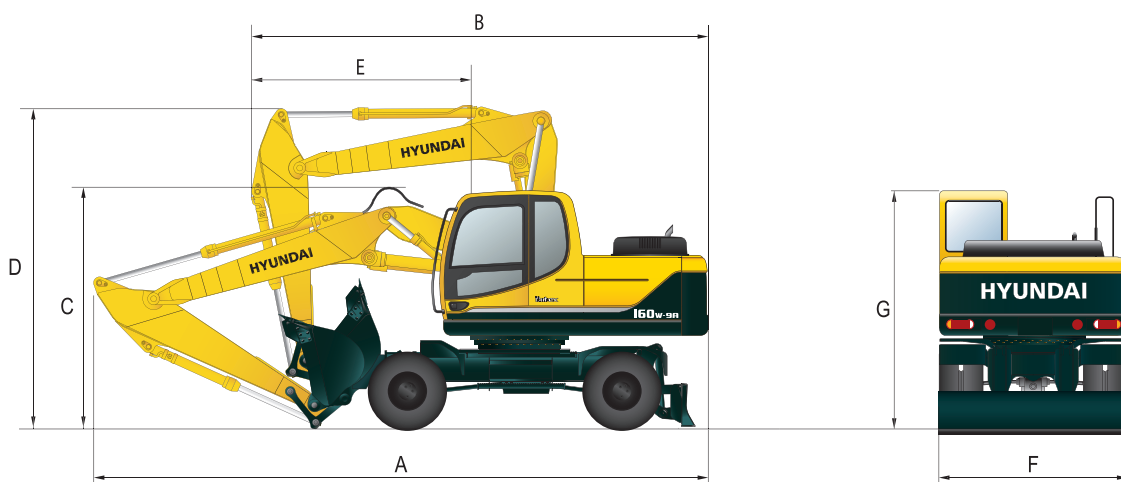
mm (ft · in)



Boom length	5,000 mm (16' 5")		
Arm length	2,200 (7' 3")	2,500 (8' 2")	3,100 (10' 2")
A Max. digging reach	8,570 (28' 1")	8,900 (29' 2")	9,350 (30' 8")
A' Max. digging reach on ground	8,360 (27' 5")	8,690 (28' 6")	9,160 (30' 1")
B Max. digging depth	5,350 (17' 7")	5,650 (18' 6")	6,250 (20' 6")
B' Max. digging depth (8' level)	5,120 (16' 10")	5,450 (17' 11")	6,060 (19' 11")
C Max. vertical wall digging depth	4,740 (15' 7")	5,260 (17' 3")	5,410 (17' 9")
D Max. digging height	8,850 (29' 0")	9,150 (30' 0")	9,150 (30' 0")
E Max. dumping height	6,220 (20' 5")	6,490 (21' 4")	6,540 (21' 5")
F Min. front swing radius	3,140 (10' 4")	3,170 (10' 5")	3,560 (11' 8")

Dimensions & Working Ranges

DIMENSIONS R160W-9A / HYDRAULIC ADJUSTABLE BOOM

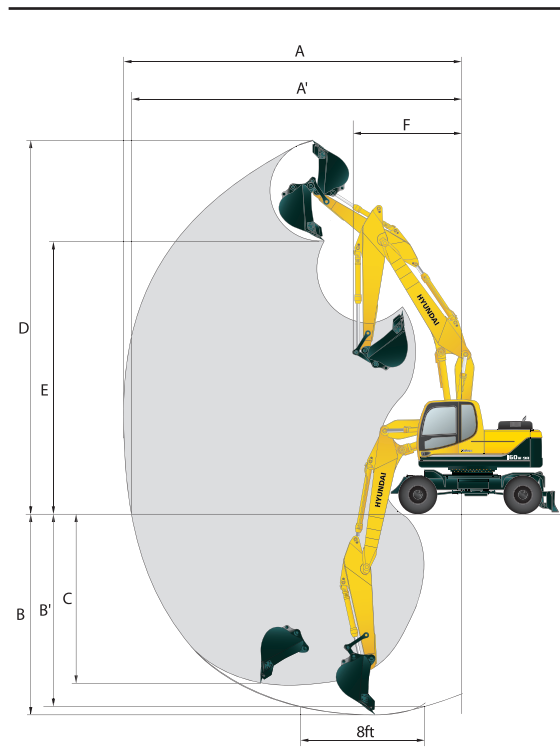


mm (ft · in)

	5,090 mm (16' 9")	
Hydraulic adjustable boom	5,090 mm (16' 9")	
Arm	2,200 (7' 3")	2,500 (8' 2")
A Overall length - shipping position	8,615 (28' 3")	8,610 (28' 3")
B Overall length - traveling position	6,570 (21' 7")	6,590 (21' 7")
C Height of attachment - shipping position	3,800 (12' 6")	3,800 (12' 6")
D Height of attachment - traveling position	3,980 (13' 1")	3,970 (13' 0")
E End of attachment to steering wheel	3,300 (10' 10")	3,300 (10' 10")
F Overall width	2,500 (8' 2")	2,500 (8' 2")
G Overall height of cab	3,190 (10' 6")	3,190 (10' 6")

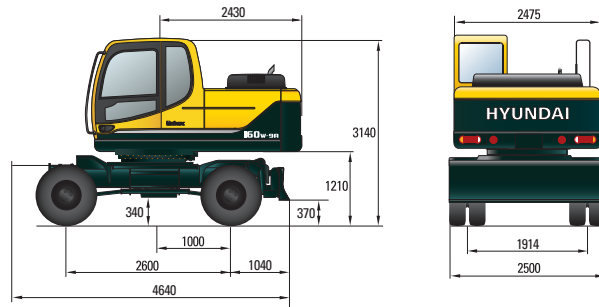
WORKING RANGES R160W-9A / HYDRAULIC ADJUSTABLE BOOM

mm (ft · in)

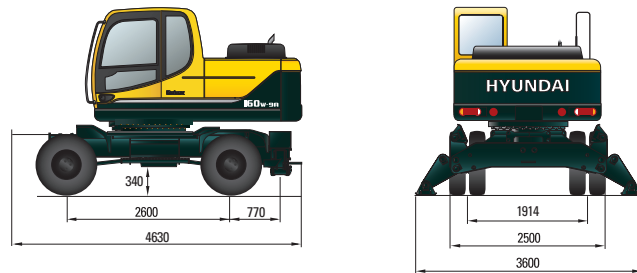


	5,090 mm (16' 9")	
Boom length	5,090 mm (16' 9")	
Arm length	2,200 (7' 3")	2,500 (8' 2")
A Max. digging reach	8,760 (28' 9")	9,110 (29' 11")
A' Max. digging reach on ground	8,595 (28' 2")	8,950 (29' 4")
B Max. digging depth	5,435 (17' 11")	5,830 (19' 2")
B' Max. digging depth (8' level)	5,330 (7' 3")	5,730 (18' 11")
C Max. vertical wall digging depth	4,635 (15' 2")	4,985 (16' 4")
D Max. digging height	9,425 (30' 11")	9,615 (31' 7")
E Max. dumping height	6,715 (22' 1")	6,915 (22' 8")
F Min. front swing radius	3,100 (10' 2")	2,970 (9' 9")

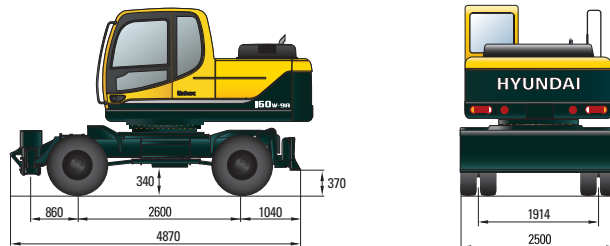
R160W-9A WITH REAR DOZER BLADE



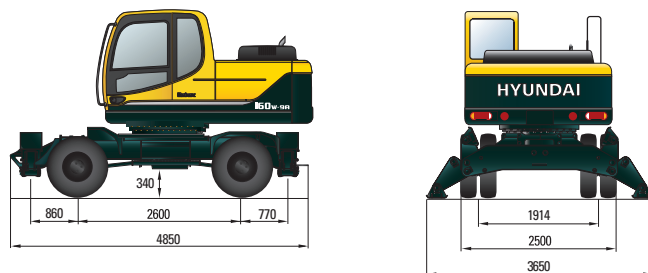
R160W-9A WITH REAR OUTRIGGERS



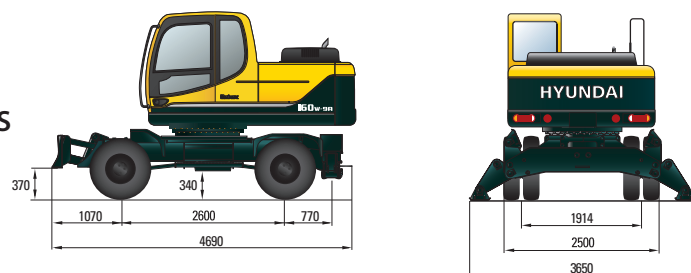
R160W-9A WITH REAR DOZER BLADE AND FRONT OUTRIGGERS



R160W-9A WITH REAR AND FRONT OUTRIGGERS



R160W-9A WITH REAR OUTRIGGERS AND FRONT DOZER BLADE



Lifting Capacities

R160W-9A MONO BOOM

Rating over-front Rating over-side or 360 degrees

Boom : 5.0 m (16' 5") / Arm : 2.2 m (7' 3") / Bucket : 0.70 m³ (0.92 yd³) SAE heaped / Rear dozer blade down

Load point height m (ft)		Load radius								At max. reach		
		1.5 m (5.0 ft)		3.0 m (10.0 ft)		4.5 m (15.0 ft)		6.0 m (20.0 ft)		Capacity		Reach
												m (ft)
7.5 m (25.0 ft)	kg lb									*3780	3130	5.72 (18.8)
6.0 m (20.0 ft)	kg lb							*2330	*2330	*3730	2120	7.01 (23.0)
4.5 m (15.0 ft)	kg lb					*4730	4490	*4220	2720	*3770	1710	7.73 (25.4)
3.0 m (10.0 ft)	kg lb			*9520	7830	*5990	4140	*4720	2590	3470	1520	8.07 (26.5)
4.5 m (5.0 ft)	kg lb					*7180	3800	*5270	2440	3420	1480	8.08 (26.5)
Ground Line	kg lb			*9130	6850	*7750	3610	5450	2330	3630	1570	7.75 (25.4)
-1.5 m (-5.0 ft)	kg lb	*8620	*8620	*11230	6900	*7560	3570	*5400	2300	*4070	1850	7.05 (23.1)
-3.0 m (-10.0 ft)	kg lb	*12790	*12790	*9310	7080	*6410	3650			*3770	2630	5.78 (19.0)
		*28200	*28200	*20530	15610	*14130	8050			*8310	5800	

Boom : 5.0 m (16' 5") / Arm : 2.5 m (8' 2") / Bucket : 0.70 m³ (0.92 yd³) SAE heaped / Rear dozer blade down

Load point height m (ft)		Load radius								At max. reach				
		1.5 m (5.0 ft)		3.0 m (10.0 ft)		4.5 m (15.0 ft)		6.0 m (20.0 ft)		7.5 m (25.0 ft)		Capacity		Reach
														m (ft)
7.5 m (25.0 ft)	kg lb											*3460	2720	6.20 (20.3)
6.0 m (20.0 ft)	kg lb							*2910	2810			*3140	1910	7.39 (24.2)
4.5 m (15.0 ft)	kg lb							*3960	2740			*3050	1560	8.07 (26.5)
3.0 m (10.0 ft)	kg lb			*8610	8040	*5620	4170	*4500	2590	*2190	1710	*3090	1390	8.40 (27.6)
1.5 m (5.0 ft)	kg lb			*8340	7060	*6910	3800	*5100	2420	*2840	1640	3180	1350	8.40 (27.6)
Ground Line	kg lb			*8900	6780	*7630	3580	*5420	2300			3360	1420	8.09 (26.5)
-1.5 m (-5.0 ft)	kg lb	*7680	*7680	*11530	6780	*7600	3500	*5360	2250			*3840	1660	7.42 (24.3)
-3.0 m (-10.0 ft)	kg lb	*11220	*11220	*9850	6930	*6700	3560					*3630	2270	6.25 (20.5)
		*24740	*24740	*12720	15280	*14770	7850					*8000	5000	
				*6360	*6360									
				*14020	*14020									

Boom : 5.0 m (16' 5") / Arm : 3.1 m (10' 2") / Bucket : 0.70 m³ (0.92 yd³) SAE heaped / Rear dozer blade down

Load point height m (ft)		Load radius								At max. reach				
		1.5 m (5.0 ft)		3.0 m (10.0 ft)		4.5 m (15.0 ft)		6.0 m (20.0 ft)		7.5 m (25.0 ft)		Capacity		Reach
														m (ft)
7.5 m (25.0 ft)	kg lb											*3050	2290	6.83 (22.4)
6.0 m (20.0 ft)	kg lb							*2790	*2790			*2900	1670	7.91 (26.0)
4.5 m (15.0 ft)	kg lb							*3450	2770	*1820	1770	*2860	1370	8.55 (28.1)
3.0 m (10.0 ft)	kg lb					*4900	4260	*4050	2600	*2840	1700	2930	1220	8.85 (29.0)
1.5 m (5.0 ft)	kg lb			*10520	7300	*6350	3850	*4740	2410	*3530	1610	2870	1180	8.86 (29.1)
Ground Line	kg lb	*4970	*4970	*10050	6770	*7330	3560	*5270	2260	*3590	1540	3010	1230	8.57 (28.1)
-1.5 m (-5.0 ft)	kg lb	*7320	*7320	*11840	6660	*7610	3430	5290	2180			3400	1410	7.94 (26.0)
-3.0 m (-10.0 ft)	kg lb	*16140	*16140	*26100	14680	*16780	7560	11660	4810			7500	3110	6.88 (22.6)
		*10010	*10010	*10700	6740	*7090	3430	*4980	2190			*3700	1850	
		*22070	*22070	*23590	14860	*15630	7560	*10980	4830			*8160	4080	
		*13470	*13470	*8060	7010	*5310	3590							
		*29700	*29700	*17770	15450	*11710	7910							

- Lifting capacity is based on SAE J1097, ISO 10567.
- Lifting capacity of the Robex Series does not exceed 75% of the tipping load with the machine on firm, level ground or 87% of full hydraulic capacity.
- The load point is a hook located on the back of the bucket.
- (*) indicates the load limited by hydraulic capacity.

Lifting Capacities

R160W-9A / HYDRAULIC ADJUSTABLE BOOM

Rating over-front Rating over-side or 360 degrees

Boom : 5.10 m (16' 9") / Arm : 2.2 m (7' 3") / Bucket : 0.70 m³ (0.99 yd³) SAE heaped / Rear dozer blade down with 3,150 kg CWT

Load point height m (ft)		Load radius								At max. reach		
		3.0 m (10.0 ft)		4.5 m (15.0 ft)		6.0 m (20.0 ft)		7.5 m (25.0 ft)		Capacity		Reach m (ft)
7.5 m	kg			*3810	*3810					*3610	3150	5.96
(25.0 ft)	lb			*8400	*8400					*7960	6940	(19.6)
6.0 m	kg			*3810	*3810	*3390	3030			*3540	2190	7.20
(20.0 ft)	lb			*8400	*8400	*7470	6680			*7800	4830	(23.6)
4.5 m	kg			*4520	*4520	*3980	2970			*3580	1790	7.91
(15.0 ft)	lb			*9960	*9960	*8770	6550			*7890	3950	(26.0)
3.0 m	kg			*5740	4480	*4500	2820			3620	1610	8.24
(10.0 ft)	lb			*12650	9880	*9920	6220			7980	3550	(27.0)
1.5 m	kg			*6920	4110	*5060	2650	*2850	1820	3580	1570	8.24
(5.0 ft)	lb			*15260	9060	*11160	5840	*6280	4010	7890	3460	(27.0)
Ground	kg	*7610	7390	*7550	3910	*5430	2540			3790	1660	7.93
Line	lb	*16780	16290	*16640	8620	*11970	5600			8360	3660	(26.0)
-1.5 m	kg	*11220	7460	*7490	3870	*5380	2510			*3920	1960	7.24
(-5.0 ft)	lb	*24740	16450	*16510	8530	*11860	5530			*8640	4320	(23.8)
-3.0 m	kg			*6550	3970							
(-10.0 ft)	lb			*14440	8750							

Boom : 5.10 m (16' 9") / Arm : 2.5 m (8' 6") / Bucket : 0.70 m³ (0.99 yd³) SAE heaped / Rear dozer blade down with 3,150 kg CWT

Load point height m (ft)		Load radius								At max. reach		
		3.0 m (10.0 ft)		4.5 m (15.0 ft)		6.0 m (20.0 ft)		7.5 m (25.0 ft)		Capacity		Reach m (ft)
7.5 m	kg									*3410	2750	6.42
(25.0 ft)	lb									*7520	6060	(21.1)
6.0 m	kg					*3440	3070			*3330	1980	7.58
(20.0 ft)	lb					*7580	6770			*7340	4370	(24.9)
4.5 m	kg			*4150	*4150	*3730	2980			*3200	1630	8.24
(15.0 ft)	lb			*9150	*9150	*8220	6570			*7050	3590	(27.0)
3.0 m	kg	*8390	*8390	*5380	4500	*4270	2810	*3110	1870	*3200	1470	8.56
(10.0 ft)	lb	*18500	*18500	*11860	9920	*9410	6190	*6860	4120	*7050	3240	(28.1)
1.5 m	kg			*6640	4100	*4870	2630	*3810	1800	*3330	1430	8.56
(5.0 ft)	lb			*14640	9040	*10740	5800	*8400	3970	*7340	3150	(28.1)
Ground	kg	*7490	7310	*7400	3870	*5310	2500	*3230	1740	3510	1510	8.26
Line	lb	*16510	16120	*16310	8530	*11710	5510	*7120	3840	7740	3330	(27.1)
-1.5 m	kg	*10860	7340	*7490	3800	*5370	2450			*3690	1760	7.61
(-5.0 ft)	lb	*23940	16180	*16510	8380	*11840	5400			*8140	3880	(25.0)
-3.0 m	kg			*6770	3860	*4630	2520					
(-10.0 ft)	lb			*14930	8510	*10210	5560					

- Lifting capacity is based on SAE J1097, ISO 10567.
- Lifting capacity of the Robex Series does not exceed 75% of the tipping load with the machine on firm, level ground or 87% of full hydraulic capacity.
- The load point is a hook located on the back of the bucket.
- (*) indicates the load limited by hydraulic capacity.

STANDARD EQUIPMENT R160W-9A

ISO Standard cabin

All-weather steel cab with 360° visibility
Safety glass windows
Rise-up type windshield wiper
Sliding fold-in front window
Sliding side window (LH)
One key fits all lockable doors
Hot & cool box
Storage compartment & Ashtray
Radio / MP3 Player with remote control and USB-input
Handsfree mobile phone system with USB-charging device
Transparent cabin roof-cover
12 volt power outlet (24V DC to 12V DC converter)
Sun visor
Rain guard - front window
Computer aided power optimization (CAPO) system
3-power modes, 2-work modes, User mode
Auto & one-touch deceleration system
Auto warm-up system
Overheat prevention system
Automatic temperature control
Air conditioner & heater
Defroster
Self-diagnostics system
Starting Aid (air grid heater) for cold weather
Centralized monitoring
LCD display
Engine speed or Trip meter
Clock
Gauges
- Fuel level gauge
- Engine coolant temperature gauge
- Hyd. oil temperature gauge
Warning lamps
- Engine warning
- Overload
- Communication error
- Low battery
- Air filter clogging
Indicators
- Max power
- Low speed/High speed
- Fuel warmer
- Auto deceleration
Rearview camera
Door and cab locks, one key
Two outside rearview mirrors
Mechanical suspension seat with heater with seat belt
Adjustable joysticks
Console box tilting system
Two front working lights
Electric horn
Batteries (2 x 12V x 100 Ah)
Battery master switch
Removable clean-out screen for coolers
Automatic swing brake
Removable reservoir tank
Fuel pre-filter with fuel warmer
Boom holding system
Arm holding system
Accumulator for lowering work equipment
Electric transducer
Lower frame under cover
Viscous fan clutch
Rear-blade (550 mm x 2,500 mm)
Dual tires (10.00-20-14PR)

Fuel filler pump (35 ℓ/min)
Safety lock valve for boom cylinder with overload warning device
Double-acting piping kit (clamshell, etc.)
Travel alarm
Boom
Mono boom : 5.0 m; 16' 5"
Arm
2.2 m; 7' 3"
Cabin ROPS (ISO 12117-2)
ROPS (Roll Over Protective Structure)
Hi-mate (Remote Management System)

OPTIONAL EQUIPMENT R160W-9A

Beacon lamp
Safety lock valve for arm cylinder
Single-acting piping kit (breaker, etc.)
Quick coupler
Boom
Hydraulic adjustable boom : 5.10 m; 16' 9"
Arms
2.2 m; 7' 3"
2.5 m; 8' 2"
3.1 m; 10' 2"
Cabin FOPS/FOG (ISO/DIS 10262 Level II)
FOPS (Falling Object Protective Structure)
FOG (Falling Object Guard)
Cabin roof-steel cover
Cabin guard front
Wire net
Cabin lights
Undercarriage
Rear outriggers
Rear dozer blade and front outriggers
Rear and front outriggers
Rear outriggers and front dozer blade
Additional lower frame - reinforced under cover
Tool kit
Seat
Adjustable air suspension seat
Mechanical suspension seat with heater with
Mechanical suspension seat
Dual tires - solid (10.00 - 20)
Pattern change valve (2 patterns)
Smart key
Rotating piping with proportional Control RCV-Lever

- * Standard and optional equipment may vary. Contact your Hyundai dealer for more information. The machine may vary according to international standards.
- * The photos may include attachments and optional equipment that are not available in your area.
- * Materials and specifications are subject to change without advance notice.
- * All imperial measurements rounded off to the nearest pound or inch.

PLEASE CONTACT

