

Specifications R430LC-9A

ENGINE

MODEL		CUMMINS QSL9	
Type		Water cooled, 4 cycle Diesel, 6-Cylinders in line, direct injection, turbocharged, charged air cooled and low emission	
Rated flywheel horse power	SAE	J1995 (gross)	310 HP (231 kW) / 1,650 rpm
		J1349 (net)	290 HP (216 kW) / 1,650 rpm
	DIN	6271/1 (gross)	314 PS (231 kW) / 1,650 rpm
		6271/1 (net)	294 PS (216 kW) / 1,650 rpm
Max. torque		148.0 kgf.m (1,070 lbf.ft) / 1,400 rpm	
Bore x stroke		114 x 145 mm (4.5" x 5.7")	
Piston displacement		8,900 cc (543 in ³)	
Batteries		2 x 12 V x 160 Ah	
Starting motor		24 V - 7.8 kW	
Alternator		24 V - 95 A	

HYDRAULIC SYSTEM

MAIN PUMP	
Type	Two variable displacement axial piston pumps
Max. flow	2 X 315 l/min (83.2 US gpm / 69.3 UK gpm)
Sub-pump for pilot circuit	Gear pump

Cross-sensing and fuel saving pump system

HYDRAULIC MOTORS

Travel	Two speed axial piston motor with brake valve and parking brake
Swing	Axial piston motor with automatic brake

RELIEF VALVE SETTING

Implement circuits	330 kgf/cm ² (4,690 psi)
Travel	360 kgf/cm ² (5,120 psi)
Power boost (boom, arm, bucket)	360 kgf/cm ² (5,120 psi)
Swing circuit	290 kgf/cm ² (4,125 psi)
Pilot circuit	40 kgf/cm ² (569 psi)
Service valve	Installed

HYDRAULIC CYLINDERS

No. of cylinder-bore x stroke	Boom: 2-160 x 1,500 mm (6.3" x 59.1")
	Arm: 1-170 x 1,760 mm (6.7" x 69.3")
	Bucket: 1-150 x 1,295 mm (5.9" x 51.0")

DRIVES & BRAKES

Drive method	Fully hydrostatic type
Drive motor	Axial piston motor, in-shoe design
Reduction system	Planetary reduction gear
Max. drawbar pull	34,000 kgf (74,960 lbf)
Max. travel speed (high) / (low)	5.5 km/hr (3.5 mph) / 3.1 km/hr (1.9 mph)
Gradeability	35° (70 %)
Parking brake	Multi wet disc

CONTROL

Pilot pressure operated joysticks and pedals with detachable lever provide almost effortless and fatigueless operation.

Pilot control	Two joysticks with one safety lever (LH): Swing and arm (RH): Boom and bucket (ISO)
Traveling and steering	Two levers with pedals
Engine throttle	Electric, Dial type

SWING SYSTEM

Swing motor	Fixed displacement axial pistons motor
Swing reduction	Planetary gear reduction
Swing bearing lubrication	Grease-bathed
Swing brake	Multi wet disc
Swing speed	9.6 rpm

COOLANT & LUBRICANT CAPACITY

	liter	US gal	UK gal
Refilling			
Fuel tank	550	145.3	121.0
Engine coolant	45	11.9	9.9
Engine oil	30	7.9	6.6
Swing device	8.0	2.1	1.8
Final drive (each)	12	3.2	2.6
Hydraulic system (including tank)	410.0	108.3	90.2
Hydraulic tank	210.0	55.5	46.2

UNDERCARRIAGE

The X-leg type center frame is integrally welded with reinforced box-section track frames. The undercarriage includes lubricated rollers, idlers, track adjusters with shock absorbing springs and sprockets, and a track chain with double or triple grouser shoes.

Center frame	X - leg type
Track frame	Pentagonal box type
No. of shoes on each side	53 EA
No. of carrier rollers on each side	2 EA
No. of track rollers on each side	9 EA
No. of rail guards on each side	2 EA

OPERATING WEIGHT (APPROXIMATE)

Operating weight, including 6,500 mm (21' 4") Heavy Duty boom, 2,600 mm (8' 06") arm, SAE heaped 2.10 m³ (2.75 yd³) bucket, lubricant, coolant, full fuel tank, full hydraulic tank and all standard equipments.

MAJOR COMPONENT WEIGHT

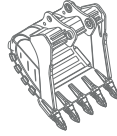
Upperstructure	16,090 kg (35,470 lb)
Boom (with arm cylinder)	3,900 kg (8,600 lb)
Arm (with bucket cylinder)	2,030 kg (4,480 lb)

OPERATING WEIGHT

Shoes	Operating weight		Ground pressure
	Type	kg (lb)	
Triple grouser	600 (24")	42,600 (93,920)	0.74 (10.52)
	700 (28")	43,140 (95,110)	0.64 (9.10)
	750 (30")	43,410 (95,700)	0.60 (8.53)
	800 (32")	43,680 (96,300)	0.57 (8.11)
Triple grouser (Heavy Duty)	900 (36")	44,220 (97,490)	0.51 (7.25)
	600 (24")	43,440 (95,770)	0.75 (10.67)
Double grouser	700 (28")	44,380 (97,840)	0.66 (9.39)
	600 (24")	42,600 (93,920)	0.74 (10.52)
	700 (28")	43,140 (95,110)	0.64 (9.10)

BUCKETS R430LC-9A

All buckets are welded with high-strength steel.



Rock
1.90 (2.49)
2.10 (2.75)

SAE heaped m³ (yd³)

Capacity m ³ (yd ³)		Width mm (in)	Weight kg (lb)	Tooth EA	Recommendation m (ft.in)	
SAE heaped	CECE heaped				6.5 (21' 4") Boom	
					2.6 (8' 6") Arm	3.2 (10' 6") Arm
Ⓡ 1.90 (2.49)	1.65 (2.16)	1,665 (66")	1,990 (4,390)	5	●	⦿
Ⓡ 2.10 (2.75)	1.84 (2.41)	1,800 (71")	2,090 (4,610)	5	⦿	■

Ⓡ Rock-bucket

- : Applicable for materials with density of 2,000 kg/m³ (3,370 lb/yd³) or less
- ⦿ : Applicable for materials with density of 1,600 kg/m³ (2,700 lb/yd³) or less
- : Applicable for materials with density of 1,100 kg/m³ (1,850 lb/yd³) or less

ATTACHMENT R430LC-9A

Booms and arms are welded, a low-stress, full-box section design.

6.5 m (21' 4") boom and 2.6 m (8' 6") and 3.2 m (10' 6") arms are available.

DIGGING FORCE R430LC-9A

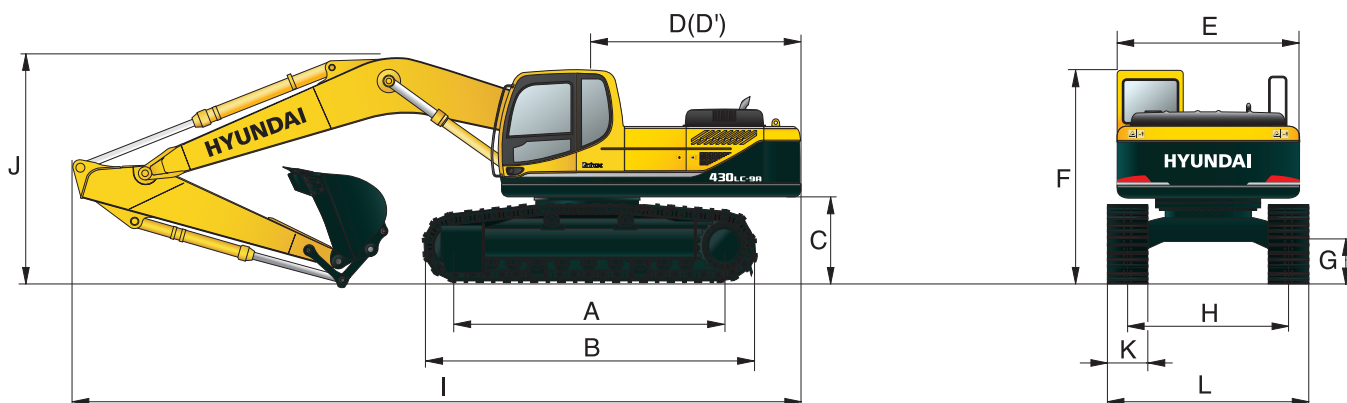
Boom	Length	mm (ft.in)	6,500 (21' 4")		Remarks:
	Weight	kg (lb)	3,900 (8,600)		
Arm	Length	mm (ft.in)	2,600 (8' 6")	3,200 (10' 6")	
	Weight	kg (lb)	2,030 (4,480)	2,120 (4,680)	
Bucket digging force	SAE	kN	200.2 [218.4]	200.1 [218.2]	
		kgf	20,410 [22,270]	20,400 [22,250]	
		lbf	45,000 [49,100]	44,970 [49,050]	
	ISO	kN	228.7 [249.5]	228.6 [249.4]	
		kgf	23,320 [25,440]	23,310 [25,430]	
		lbf	51,410 [56,090]	51,390 [56,060]	
Arm crowd force	SAE	kN	180.7 [197.2]	152.2 [166.0]	[: Power Boost
		kgf	18,430 [20,110]	15,520 [16,930]	
		lbf	40,630 [44,330]	34,220 [37,330]	
	ISO	kN	188.0 [205.1]	157.5 [171.8]	
		kgf	19,170 [20,910]	16,060 [17,520]	
		lbf	42,260 [46,100]	35,410 [38,620]	

Note: Boom weight includes arm cylinder, piping and pin

Arm weight includes bucket cylinder, linkage and pin

Dimensions & Working Ranges

DIMENSIONS R430LC-9A



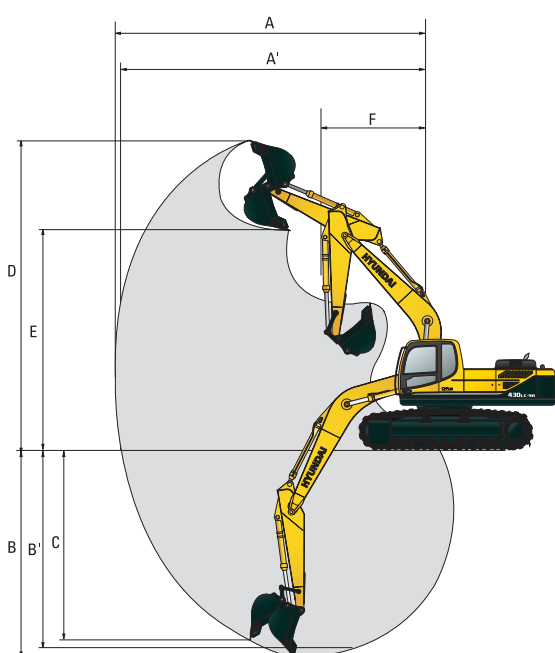
mm (ft · in)

mm (ft · in)

A Tumbler distance	4,470 (14' 8")	Boom length	6,500 (21' 4")				
B Overall length of crawler	5,462 (17' 11")	Arm length	2,600 (8' 6")	3,200 (10' 6")			
C Ground clearance of counterweight	1,295 (4' 3")	I Overall length	11,240 (36' 11")	11,270 (37' 0")			
D Tail swing radius	3,505 (11' 6")	J Overall height of boom	3,780 (12' 5")	3,500 (11' 6")			
D' Rear-end length	3,560 (11' 8")	K Track shoe width	600 (24")	700 (28")	750 (30")	800 (32")	900 (36")
E Overall width of upperstructure	2,980 (9' 9")	L Overall width	3,340 (10' 11")	3,440 (11' 3")	3,490 (11' 5")	3,540 (11' 7")	3,640 (11' 11")
F Overall height of cab	3,180 (10' 5")						
G Min. ground clearance	555 (1' 10")						
H Track gauge	2,740 (9' 00")						

WORKING RANGES R430LC-9A

mm (ft · in)



Boom length	6,500 (21' 4")				
Arm length	2,600 (8' 6")	3,200 (10' 6")			
A Max. digging reach	10,810 (35' 6")	11,250 (36' 11")			
A' Max. digging reach on ground	10,580 (34' 9")	11,030 (36' 2")			
B Max. digging depth	6,860 (22' 6")	7,470 (24' 6")			
B' Max. digging depth (8' level)	6,690 (21' 11")	7,310 (23' 12")			
C Max. vertical wall digging depth	6,000 (19' 8")	6,290 (20' 8")			
D Max. digging height	10,710 (35' 2")	10,630 (34' 11")			
E Max. dumping height	7,480 (24' 6")	7,470 (24' 6")			
F Min. front swing radius	4,530 (14' 10")	4,450 (14' 7")			

Lifting Capacities

R430LC-9A

Rating over-front Rating over-side or 360 degrees

Boom : 6.5m (21'4") / Arm : 2.6 m (8'6") / Bucket : 2.10 m³ (2.75 yd³) SAE heaped / Shoe : 600mm (24") triple grouser

Load point height m (ft)	Load radius												At max. reach			
	1.5 m (5 ft)		3.0 m (10 ft)		4.5 m (15 ft)		6.0 m (20 ft)		7.5 m (25 ft)		9.0 m (30 ft)		Capacity		Reach	
															m (ft)	
9.0 m (30 ft)	kg													*5990	*5990	7.12
	lb													*13210	*13210	(23.4)
7.5 m (25 ft)	kg													*5920	*5920	8.39
	lb													*13050	*13050	(27.5)
6.0 m (20 ft)	kg						*7050	*7050	*6550	*6550				*5990	4940	9.20
	lb						*15540	*15540	*14440	*14440				*13210	10890	(30.2)
4.5 m (15 ft)	kg				*10850	*10850	*8370	*8370	*7160	*7160				*6140	4320	9.69
	lb				*23920	*23920	*18450	*18450	*15790	*15790				*13540	9520	(31.8)
3.0 m (10 ft)	kg				*14140	*14140	*9950	*9950	*7980	6950	*5270	4920		*6340	4020	9.90
	lb				*31170	*31170	*21940	*21940	*17590	15320	*11620	10850		*13980	8860	(32.5)
1.5 m (5 ft)	kg				*16460	14930	*11340	9540	*8780	6630	*6150	4780		*6570	3970	9.85
	lb				*36290	32910	*25000	21030	*19360	14620	*13560	10540		*14480	8750	(32.3)
Ground Line	kg				*17290	14530	*12190	9170	*9320	6400				*6820	4180	9.55
	lb				*38120	32030	*26870	20220	*20550	14110				*15040	9220	(31.3)
-1.5 m (-5 ft)	kg			*18300	*18300	*17040	14490	*12350	9040	*9400	6310			*7030	4730	8.95
	lb			*40340	*40340	*37570	31940	*27230	19930	*20720	13910			*15500	10430	(29.4)
-3.0 m (-10 ft)	kg	*20700	*20700	*22270	*22270	*15850	14700	*11680	9130					*7080	5890	8.00
	lb	*45640	*45640	*49100	*49100	*34940	32410	*25750	20130					*15610	12990	(26.2)
-4.5 m (-15 ft)	kg			*18370	*18370	*13310	*9520	9500						*6530	*6530	6.49
	lb			*40500	*40500	*29340	*29340	*20990	20940					*14400	*14400	(21.3)

Boom : 6.5m (21'4") / Arm : 3.2 m (10'6") / Bucket : 1.90 m³ (2.49 yd³) SAE heaped / Shoe : 600mm (24") triple grouser

Load point height m (ft)	Load radius												At max. reach			
	1.5 m (5 ft)		3.0 m (10 ft)		4.5 m (15 ft)		6.0 m (20 ft)		7.5 m (25 ft)		9.0 m (30 ft)		Capacity		Reach	
															m (ft)	
9.0 m (30 ft)	kg													*5330	*5330	7.74
	lb													*11750	*11750	(25.4)
7.5 m (25 ft)	kg								*3890	*3890				*5380	*5380	8.91
	lb								*8580	*8580				*11860	*11860	(29.2)
6.0 m (20 ft)	kg								*5950	*5950				*5510	4660	9.68
	lb								*13120	*13120				*12150	10270	(31.8)
4.5 m (15 ft)	kg						*7600	*7600	*6640	*6640				*5710	4110	10.14
	lb						*16760	*16760	*14640	*14640				*12590	9060	(33.3)
3.0 m (10 ft)	kg				*12840	*12840	*9280	*9280	*7550	7170	*3780	*3780		*5940	3830	10.34
	lb				*28310	*28310	*20460	*20460	*16640	15810	*8330	*8330		*13100	8440	(33.9)
1.5 m (5 ft)	kg				*15640	15400	*10860	9790	*8470	6800	*5730	5110		*6220	3760	10.29
	lb				*34480	33950	*23940	21580	*18670	14990	*12630	11270		*13710	8290	(33.8)
Ground Line	kg			*13750	*13750	*17100	14740	*11970	9330	*9170	6520	*6890	4920	*6530	3910	10.01
	lb			*30310	*30310	*37700	32500	*26390	20570	*20220	14370	*15190	10850	*14400	8620	(32.8)
-1.5 m (-5 ft)	kg	*14400	*14400	*18230	*18230	*17360	14530	*12430	9110	*9490	6370	*6420	4770	*6840	4350	9.44
	lb	*31750	*31750	*40190	*40190	*38270	32030	*27400	20080	*20920	14040	*14150	10520	*15080	9590	(31.0)
-3.0 m (-10 ft)	kg	*18600	*18600	*23560	*23560	*16640	14620	*12140	9100	*9180	6380			*7110	5250	8.55
	lb	*41010	*41010	*51940	*51940	*36680	32230	*26760	20060	*20240	14070			*15670	11570	(28.1)
-4.5 m (-15 ft)	kg	*23350	*23350	*21000	*21000	*14740	*14740	*10760	9320					*7120	*7120	7.18
	lb	*51480	*51480	*46300	*46300	*32500	*32500	*23720	20550					*15700	*15700	(23.6)
-6.0 m (-20 ft)	kg					*10630	*10630									
	lb					*23440	*23440									

- Lifting capacity is based on SAE J1097, ISO 10567.
- Lifting capacity of the Robex Series does not exceed 75% of the tipping load with the machine on firm, level ground or 87% of full hydraulic capacity.
- The load point is a hook located on the back of the bucket.
- (*) indicates the load limited by hydraulic capacity.

STANDARD EQUIPMENT R430LC-9A

ISO Standard cabin

All-weather steel cab with 360° visibility
Safety glass windows
Rise-up type windshield wiper
Sliding fold-in front window
Sliding side window (LH)
One key fits all lockable doors
Hot & cool box
Storage compartment & Ashtray
Radio / MP3 Player with remote control and USB-input
Handsfree mobile phone system with USB-charging device
Cabin roof-steel cover
12 volt power outlet (24 V DC to 12 V DC converter)
Sun visor
Rain guard - front window
Computer aided power optimization (CAPO) system
3-power modes, 2-work modes, User mode
Auto & one-touch deceleration system
Auto warm-up system
Overheat prevention system
Automatic temperature control
Air conditioner & heater
Defroster
Self-diagnostics system
Starting Aid (air grid heater) for cold weather
Centralized monitoring
LCD display
Engine speed or Trip meter
Clock
Gauges
- Fuel level gauge
- Engine coolant temperature gauge
- Hyd. oil temperature gauge
Warning lamps
- Engine warning
- Overload
- Communication error
- Low battery
- Air filter clogging
Indicators
- Max power
- Low speed/High speed
- Fuel warmer
- Auto deceleration
Rearview camera
Door and cab locks, one key
Two outside rearview mirrors
Fully adjustable suspension seat with seat belt
Adjustable joysticks
Four frontal working lights
Electric horn
Batteries (2 x 12V x 160 Ah)
Battery master switch
Removable clean-out screen for coolers
Automatic swing brake
Fuel pre-filter
Boom holding system
Arm holding system
Track shoes (600 mm; 24")
Track rail guard
Accumulator for lowering work equipment
Electric transducer
Lower frame under cover

Double-acting piping kit (clamshell, etc.)

Boom
6.5 m; 21' 4" Heavy Duty
Arm
3.2 m; 10' 6" Heavy Duty
Cabin ROPS (ISO 12117-2)
ROPS (Roll Over Protective Structure)
Hi-mate (Remote Management System)

OPTIONAL EQUIPMENT R430LC-9A

Fuel filler pump (35 ℓ/min)
Beacon lamp
Single-acting piping kit (breaker, etc.)
Travel alarm
Arm
2.6 m; 8' 6"
Cabin FOPS/FOG (ISO/DIS 10262 Level II)
FOPS (Falling Object Protective Structure)
FOG (Falling Object Guard)
Cabin lights
Track shoes
Double grousers shoe (600 mm; 24")
Double grousers shoe (700 mm; 28")
Triple grousers shoe (700 mm; 28")
Triple grousers shoe (750 mm; 30")
Triple grousers shoe (800 mm; 32")
Triple grousers shoe (900 mm; 36")
Triple grousers shoe, heavy duty (600 mm; 24")
Triple grousers shoe, heavy duty (700 mm; 28")
Full track rail guard
Additional lower frame - reinforced under cover
Coolant pre-heating system
Tool kit
Seat
Adjustable air suspension seat with heater
Fuel warmer
Air compressor
Rear work lamp
Quick coupler piping

- * Standard and optional equipment may vary. Contact your Hyundai dealer for more information. The machine may vary according to international standards.
- * The photos may include attachments and optional equipment that are not available in your area.
- * Materials and specifications are subject to change without advance notice.
- * All imperial measurements rounded off to the nearest pound or inch.

PLEASE CONTACT

